

Barudan

HIGH SPEED AUTOMATIC EMBROIDERY MACHINE

BENT-ZN/ZQ

PARTS LIST

FOR MODELS MANUFACTURED IN THE USA

BENT-ZN-101U
BENT-ZQ-201U
For models manufactured in the U.S.A.
HIGH SPEED AUTOMATIC EMBROIDERY
MACHINE

Contents

Page 1

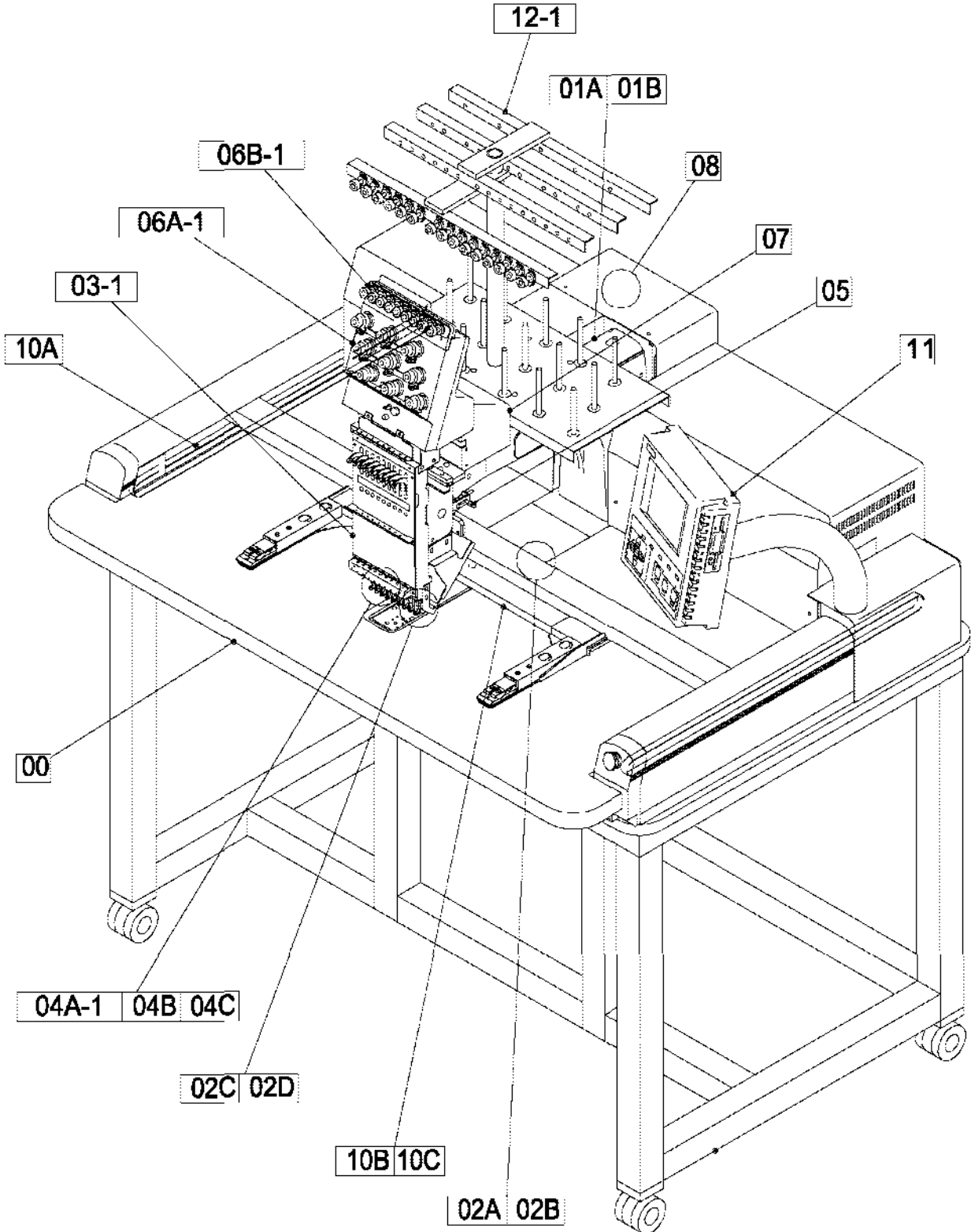
Machine Layout

- 00 Table Frame
- 01 Head-Bed A
- 01B Head-Bed B
- 02A Thread Cut A
- 02B Thread Cut B
- 02C Thread Cut C
- 02D Thread Cut D
- 03-1 Take Up Lever (ZN)
- 03-2 Take Up Lever (ZQ)
- 04A-1 Needle Bar A (ZN)
- 04A-2 Needle Bar A (ZQ)
- 04B-1 Needle Bar B (ZN)
- 04B-2 Needle Bar B (ZQ)
- 04C Needle Bar C
- 05 Jump
- 06A-1 Thread Guide A (without UTSM) (ZN)
- 06A-2 Thread Guide A (without UTSM) (ZQ)

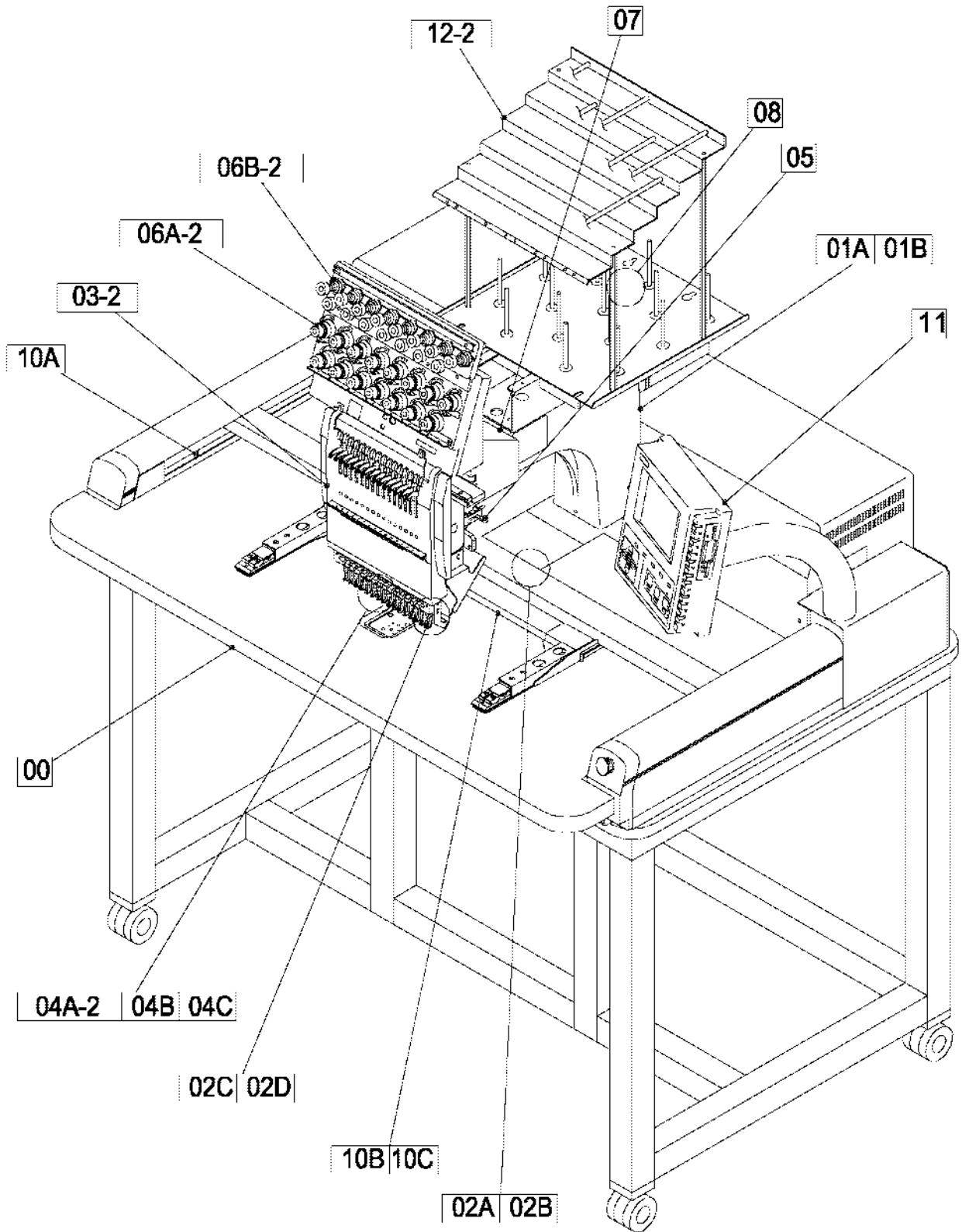
C o n t e n t s

- 06B-1 Thread Guide B (with UTSM) (ZN)
- 06B-2 Thread Guide B (with UTSM) (ZQ)
 - 07A Color Change 1
 - 07B Color Change 2 (Direct Drive)
- 08 Drive
 - 10A H-Direction Pantograph Drive
 - 10B V-Direction Pantograph Drive
 - 10C V-Hoop Arm Assembly
- 11 Control
- 12-1 Accessories (ZN)
- 12-2 Accessories (ZQ)

MACHINE LAYOUT (BENT-ZN)

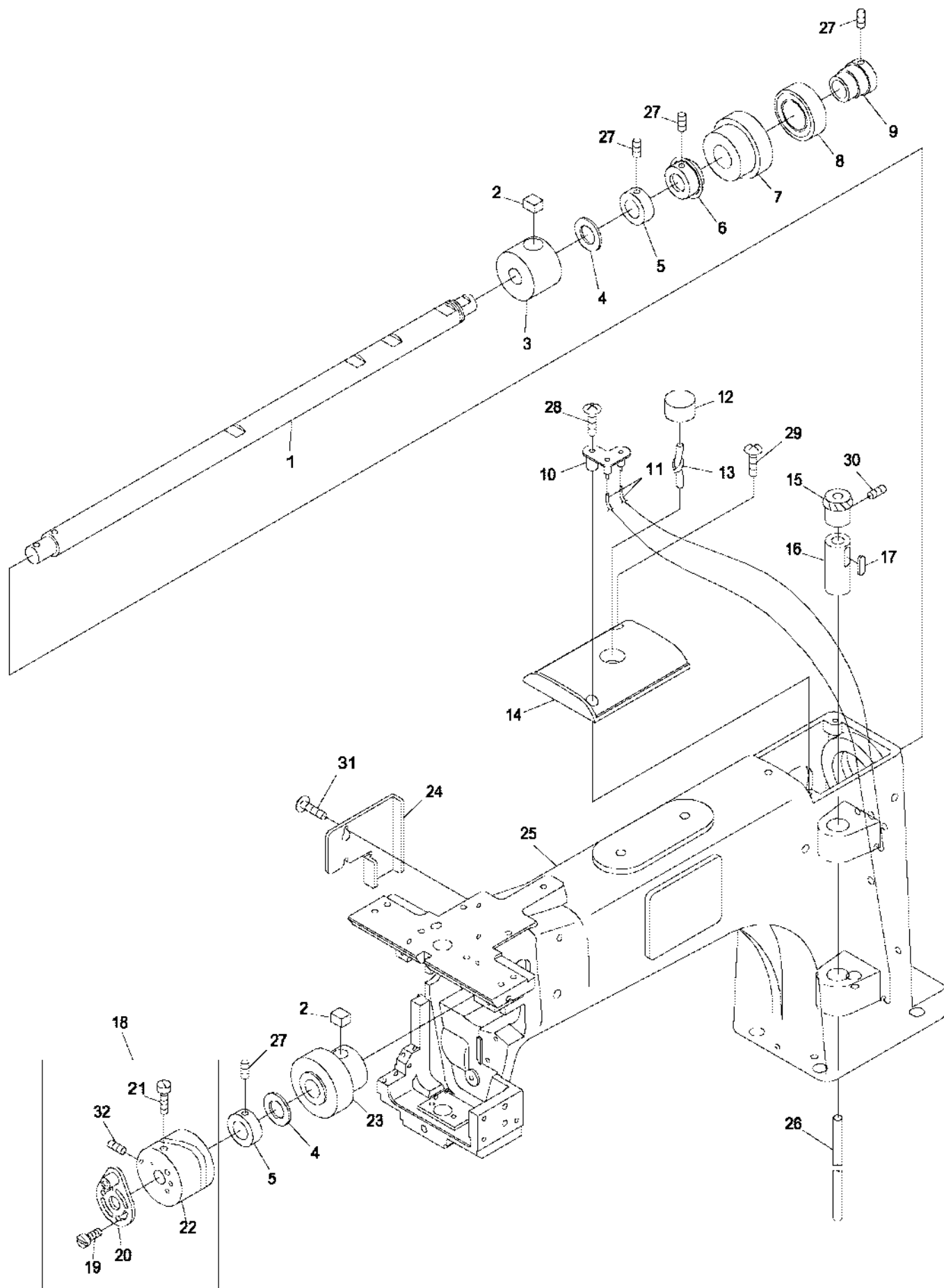


MACHINE LAYOUT (BENT-ZQ)



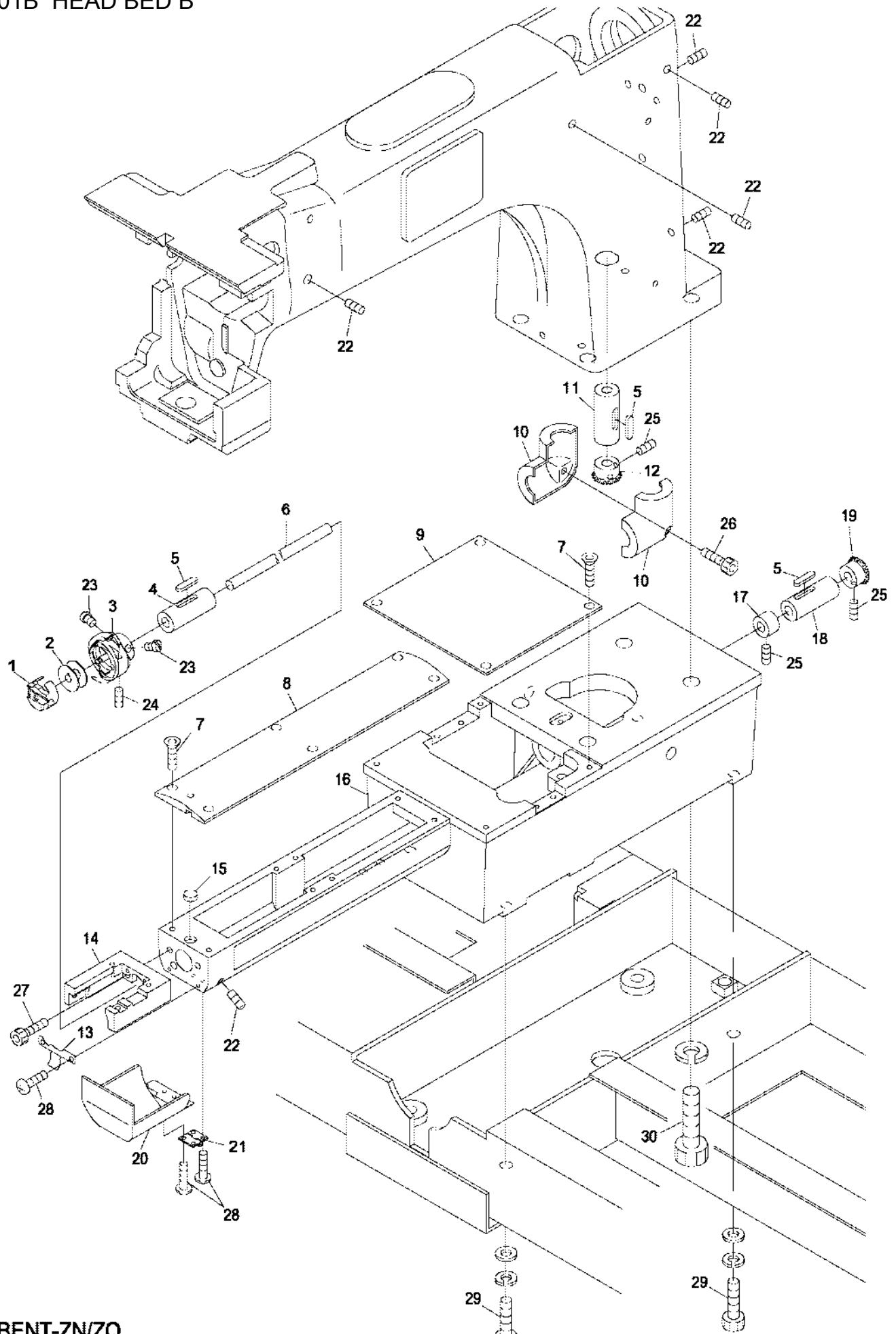
BENT-ZQ

01A HEAD BED A



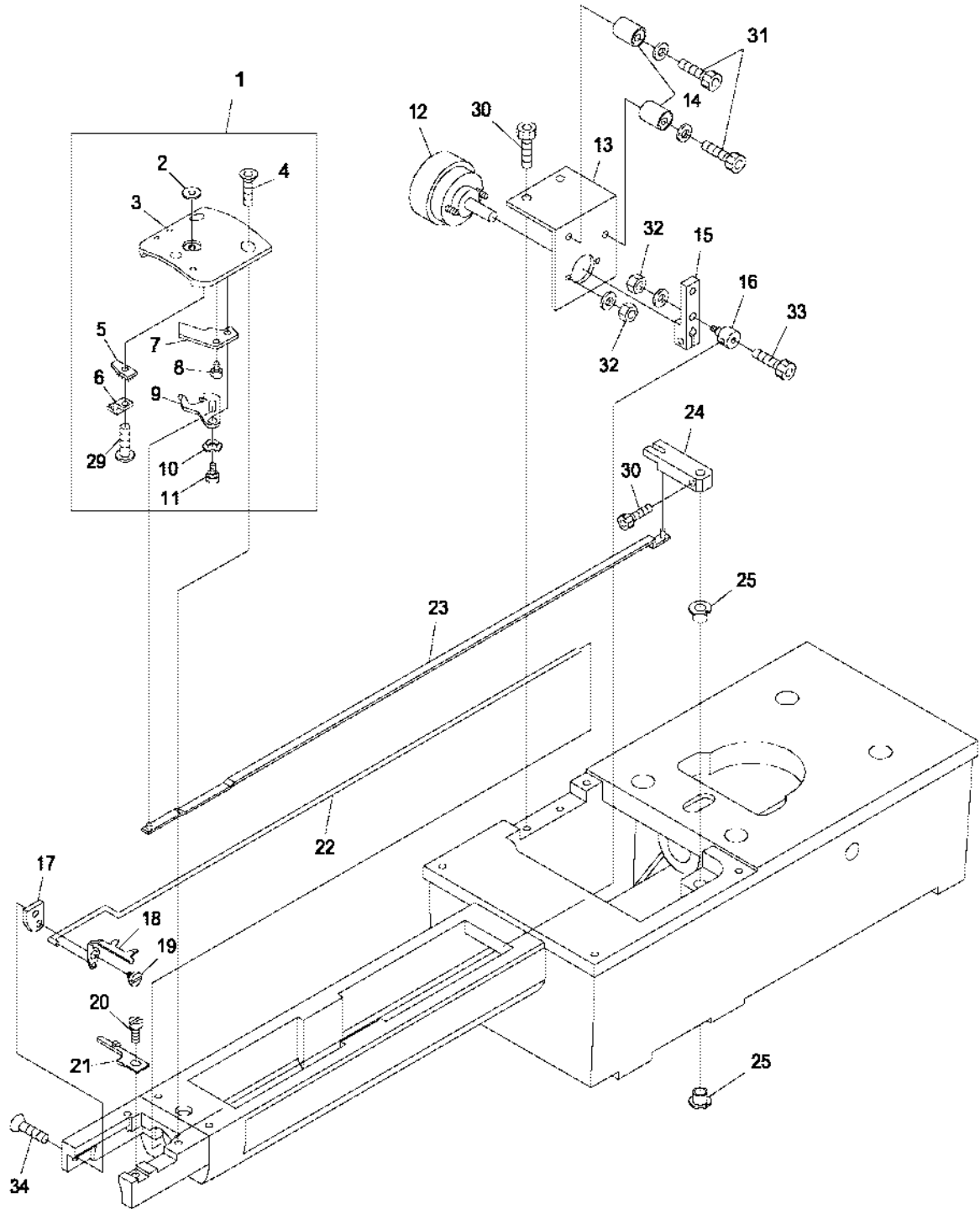
BENT-ZN/ZQ

01B HEAD BED B



BENT-ZN/ZQ

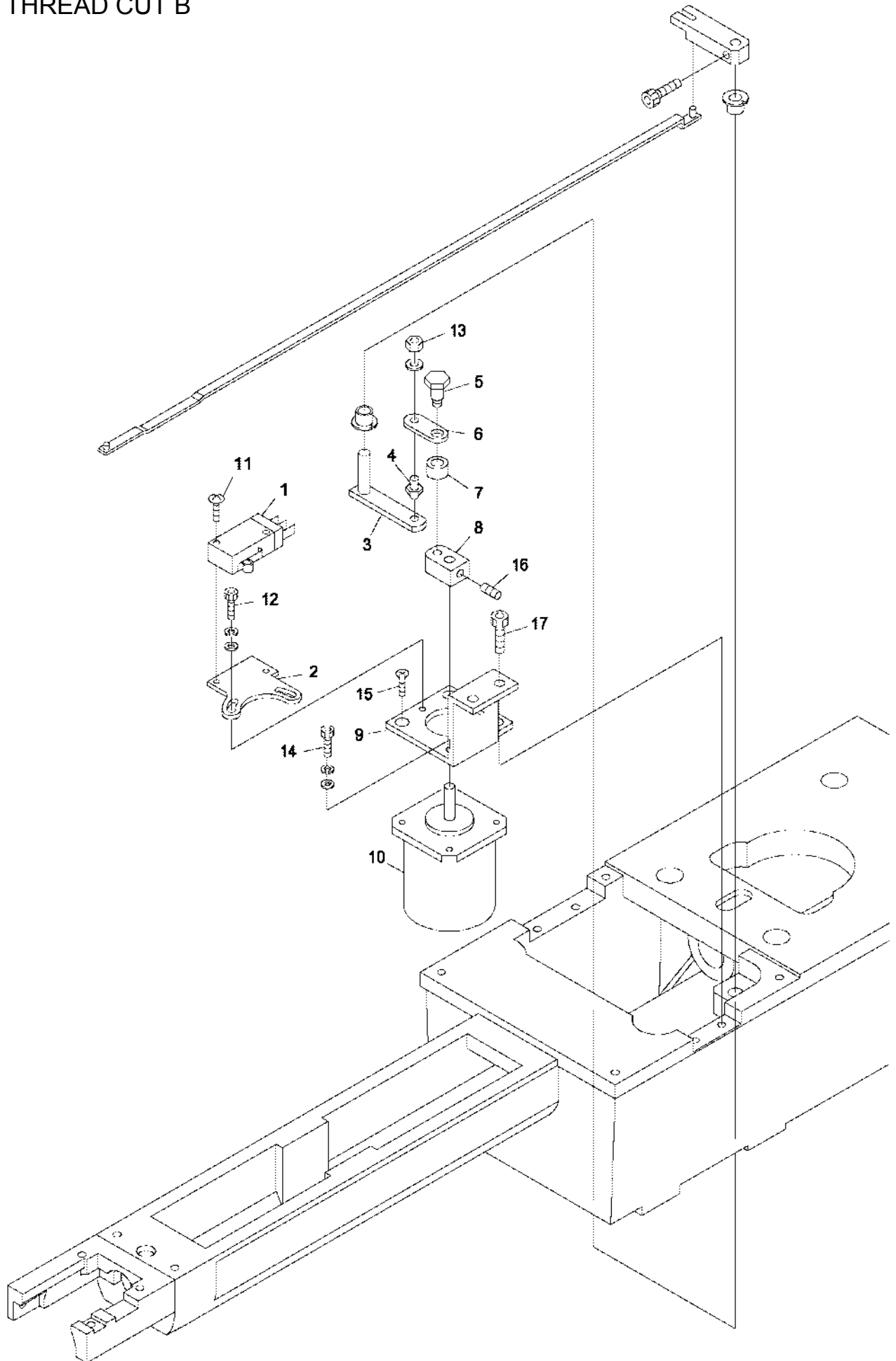
02A THREAD CUT A



02A Thread Cut A

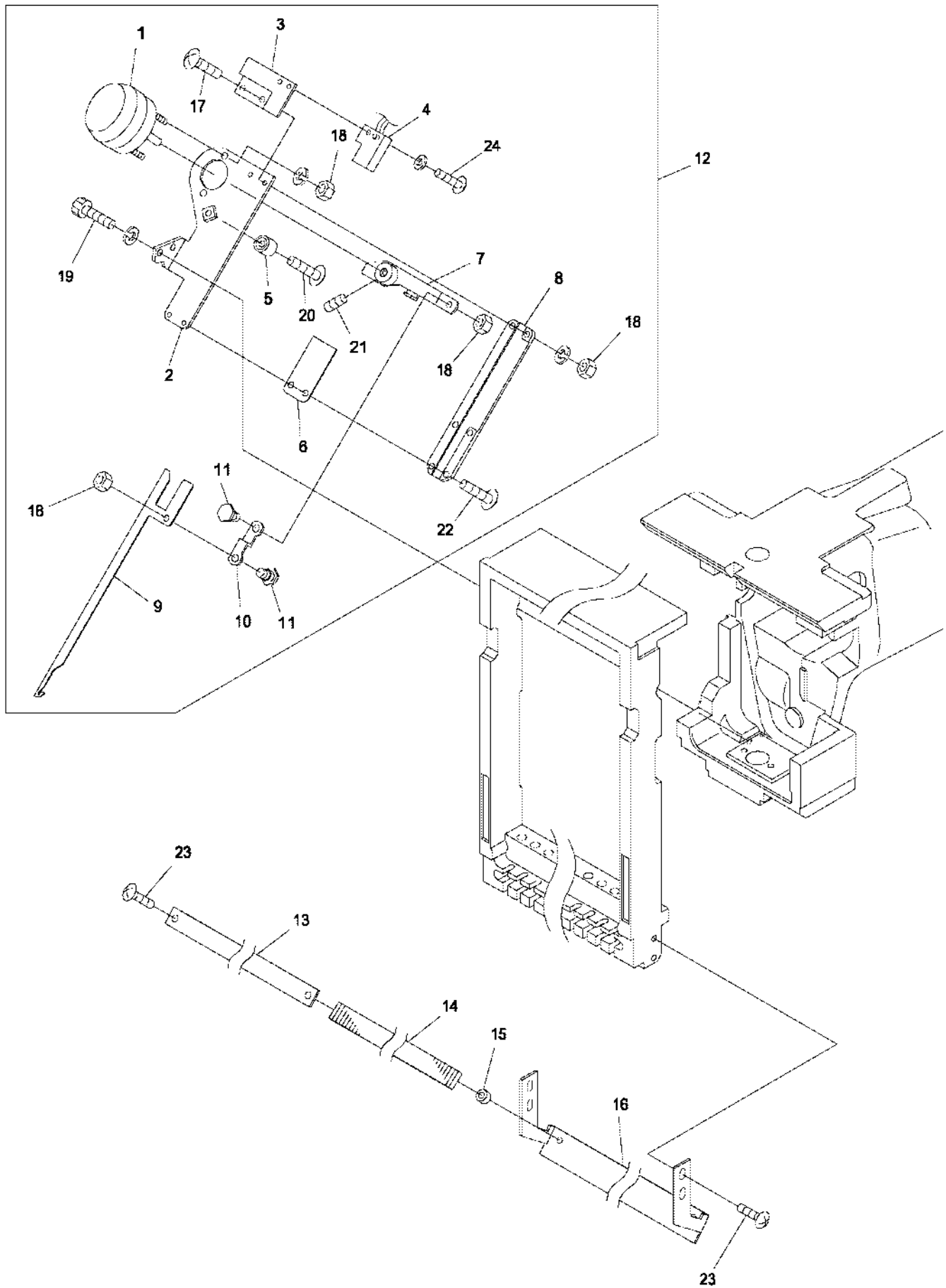
| ITEM | LIST NO. | DESCRIPTION | QTY | NOTE |
|------|-----------|---|-----|----------------|
| 1. | KX270281 | Throat Plate Assembly, (MK-5) | 1 | With Washer |
| | ZKX270282 | Throat Plate Assembly, ZN/ZQA (MK-5) | 1 | Without Washer |
| 2. | KX270380 | Urethane Washer | 1 | |
| 3. | KX270022 | Throat Plate, ZN/ZQA (MK-5) | 1 | |
| 4. | KX250080 | Throat Plate Set Screw (Hex. Socket) | 2 | |
| 5. | HT270160 | Bobbin Thread Support Stay Upper | 1 | |
| 6. | HT270180 | Bobbin Thread Support Stay Lower | 1 | |
| 7. | KN270961 | Fixed Knife | 1 | |
| 8. | KX270010 | Fixed Knife Set Screw | 1 | |
| 9. | KN270952 | Driving Knife | 1 | |
| 10. | A9013066 | Wave Washer (WW-5SK) | 1 | |
| 11. | KC270970 | Lower Thread Knife Turning Shaft | 1 | |
| 12. | A9056030 | Rotary Solenoid, Trimmer Fork (M960371R)(ETL) | 1 | |
| 13. | KC271960 | Solenoid Stay (ZN) | 1 | ZN (Not Shown) |
| | LA270040 | Solenoid Stay (ZQ) | 1 | ZQ |
| 14. | KN272400 | Stopper Eccentric | 2 | |
| 15. | KC271940 | Solenoid Lever A | 1 | |
| 16. | HS210080 | Connecting Clamp | 1 | |
| 17. | HS210050 | Fork Fixing Stay | 1 | (ZQ Only) |
| 18. | HS210143 | Trimmer Fork (Small Bobbin) | 1 | |
| 19. | KC271002 | Upper Thread Knife Turning Shaft | 1 | |
| 20. | A9012007 | Bobbin Fixing Screw | 1 | |
| 21. | KX270000 | Hook Position Bracket | 1 | |
| 22. | KC271031 | Fork Driving Rod (ZN) | 1 | ZN |
| | LA270020 | Fork Driving Rod (ZQ) | 1 | ZQ |
| 23. | KX270030 | Lower Thread Knife Driving Rod (ZN) | 1 | ZN |
| | LA270010 | Lower Thread Knife Driving Rod (ZQ) | 1 | ZQ |
| 24. | KC271120 | Lower Thread Knife Driving Lever (Upper) | 1 | |
| 25. | A9012114 | DU Bushing with Flange (MB0505-10FDU) | 2 | |
| 26. | | | | |
| 27. | | | | |
| 28. | | | | |
| 29. | | Pan Screw M3x3 | | |
| 30. | | Hex. Socket Bolt M4x6 | | |
| 31. | | Hex. Socket Bolt M4x18 | | |
| 32. | | Hex. Nut M3 | | |
| 33. | | Hex. Socket Bolt M3x5 | | |
| 34. | | Hex. Socket Flush Screw M4x6 | | |
| | | | | |
| | | | | |
| | | | | |
| | | | | |
| | | | | |

02B THREAD CUT B



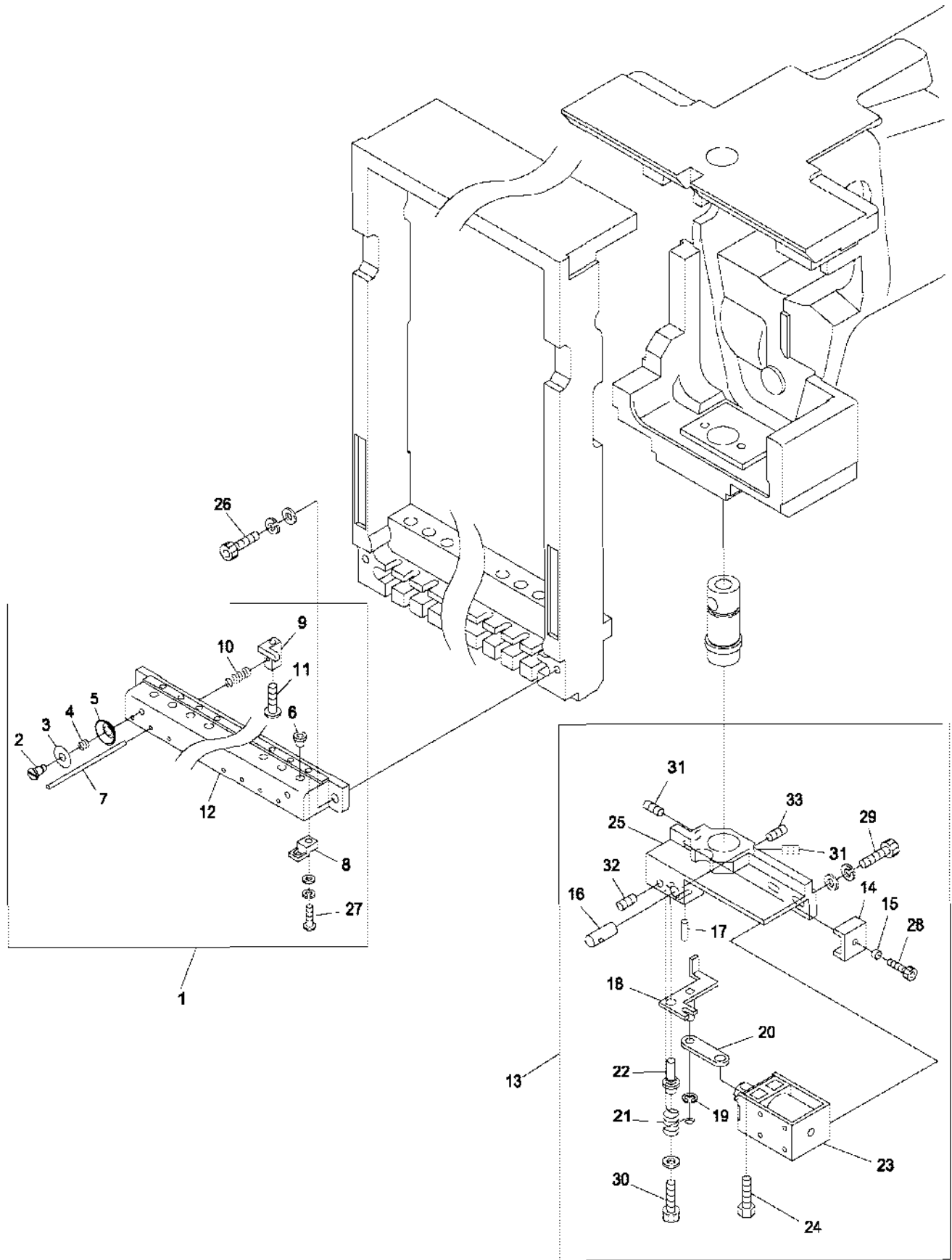
BENT-ZN/ZQ

02C THREAD CUT C



BENT-ZN/ZQ

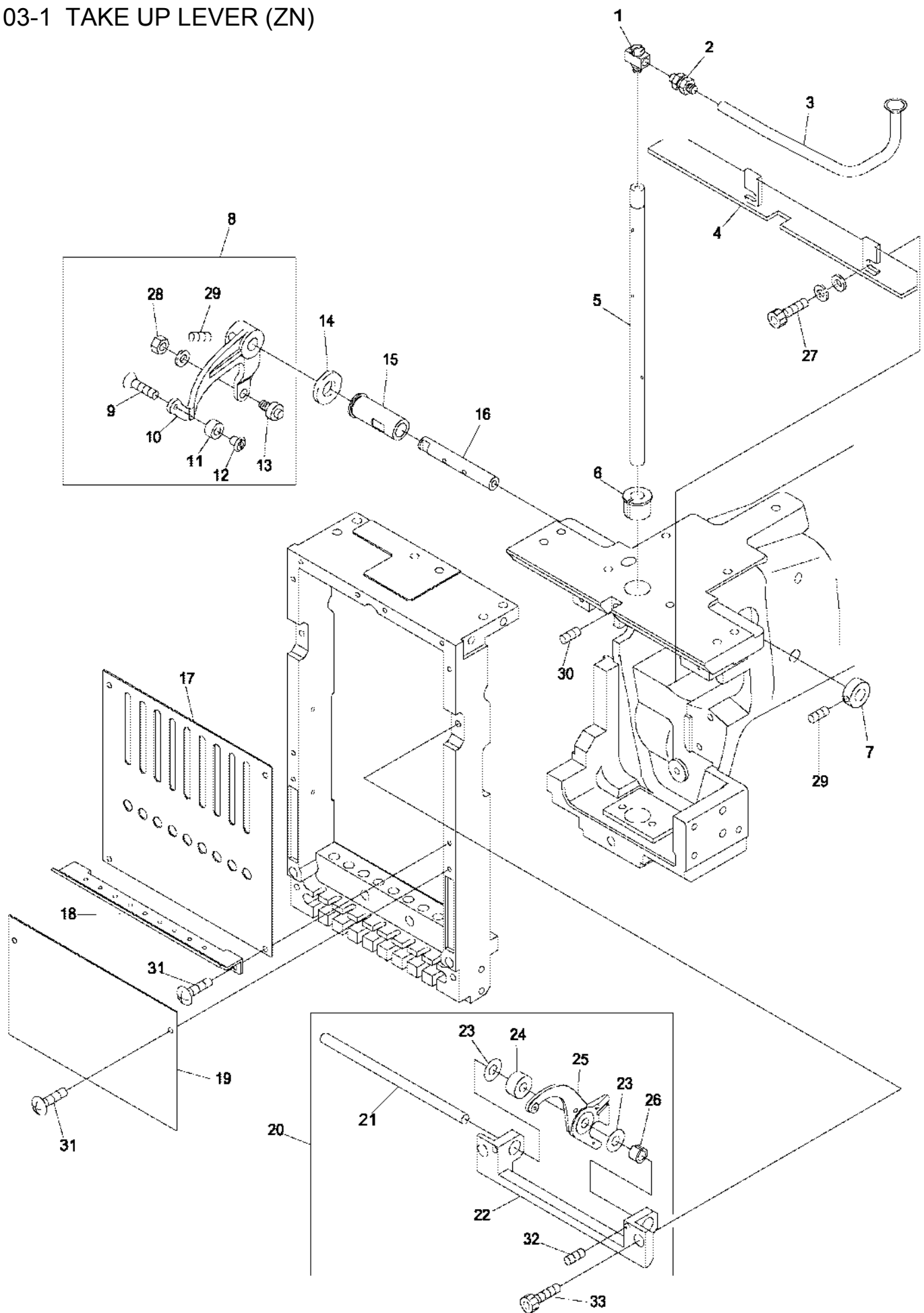
02D THREAD CUT D



02D Thread Cut D

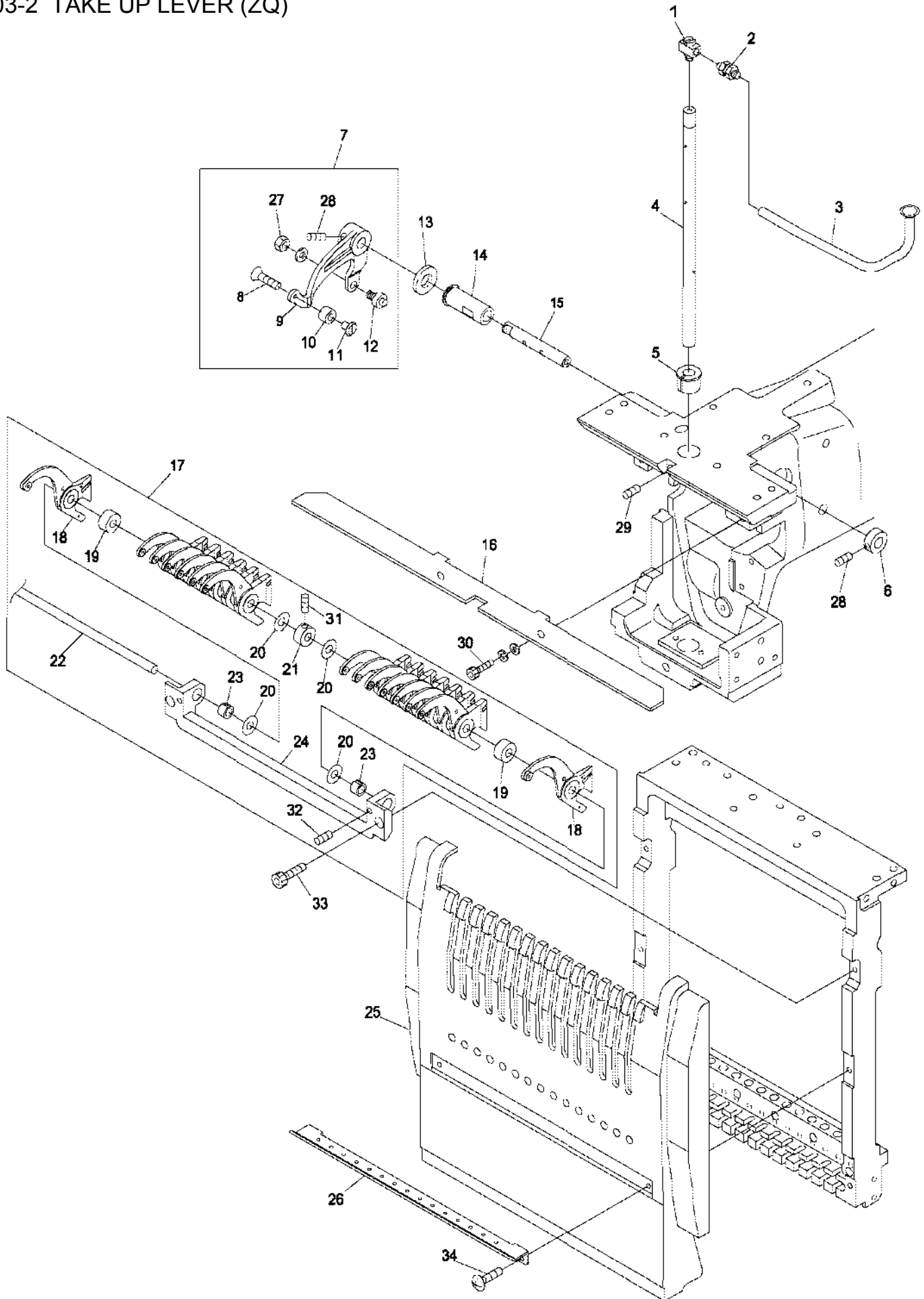
| ITEM | LIST NO. | DESCRIPTION | QTY | NOTE |
|------|----------|--|-----|---------------|
| 1. | KX270230 | Thread Support Apron Assembly (ZN) | 1 | ZN |
| | RD270050 | Thread Support Apron Assembly (ZQ) | 1 | ZQ |
| 2. | KF250250 | Thread Hook Shaft Screw | | ZN-HX2,ZQ-HX3 |
| 3. | KF250231 | Thread Guard Spring Holder | | ZN-HX2,ZQ-HX3 |
| 4. | KF250241 | Thread Hook Spring | | ZN-HX2,ZQ-HX3 |
| 5. | KF250220 | Thread Guard Disk | | ZN-HX2,ZQ-HX3 |
| 6. | KF230582 | Ceramic Thread Guide (Thread Support Apron) | | ZN-HX9,ZQ-15 |
| 7. | KX270110 | Thread Support Pin (ZN/ZQA) | | ZN-HX9,ZQ-15 |
| 8. | KX270100 | Thread Support Block | | ZN-HX9,ZQ-15 |
| 9. | KX270090 | Thread Support Clamp | | ZN-HX9,ZQ-15 |
| 10. | KX270120 | Thread Support Spring | | ZN-HX9,ZQ-15 |
| 11. | HT270062 | Thread Support Clamp Set Screw | | ZN-HX9,ZQ-15 |
| 12. | KX270080 | Thread Support Apron (ZNA) | 1 | ZN |
| | RD270010 | Thread Support Apron (ZQA) | 1 | ZQ |
| 13. | LA270130 | Thread Support Assembly | 1 | |
| 14. | HT230520 | Needle Bar Driver Stopper | 1 | |
| 15. | A9012368 | Spacer (Bushing) | 1 | |
| 16. | KX270360 | Thread Support Push Rod | 1 | |
| 17. | KX270320 | Thread Support Push Pin | 1 | |
| 18. | LA270090 | Thread Support Lever | 1 | |
| 19. | A9012127 | E-Ring (Ø3) | 1 | |
| 20. | KX270310 | Thread Support Link | 1 | |
| 21. | KX270350 | Thread Support Return Spring | 1 | |
| 22. | KX270300 | Thread Support Lever Pin | 1 | |
| 23. | A9056037 | Thread Keep Solenoid (TDS-K10SL-306A) (ETL) | 1 | With Cover |
| 24. | KC270101 | Solenoid Pin | 1 | |
| 25. | LA270070 | Thread Support Base | 1 | |
| 26. | | Hex. Socket Bolt M4x12 (With Washers) | | |
| 27. | | Hex. Socket Button Bolt M3x10 (With Washers) | | |
| 28. | | Hex. Socket Bolt M3x6 | | |
| 29. | | Hex. Socket Bolt M3x8 (With Washers) | | |
| 30. | | Hex. Socket Bolt M3x6 (With Plain Washer) | | |
| 31. | | Hex. Socket Set Screw M5x8 | | |
| 32. | | Hex. Socket Set Screw M4x4 | | |
| 33. | | Hex. Socket Set Screw M3x6 | | |
| | | | | |
| | | | | |
| | | | | |
| | | | | |
| | | | | |
| | | | | |
| | | | | |
| | | | | |
| | | | | |
| | | | | |

03-1 TAKE UP LEVER (ZN)



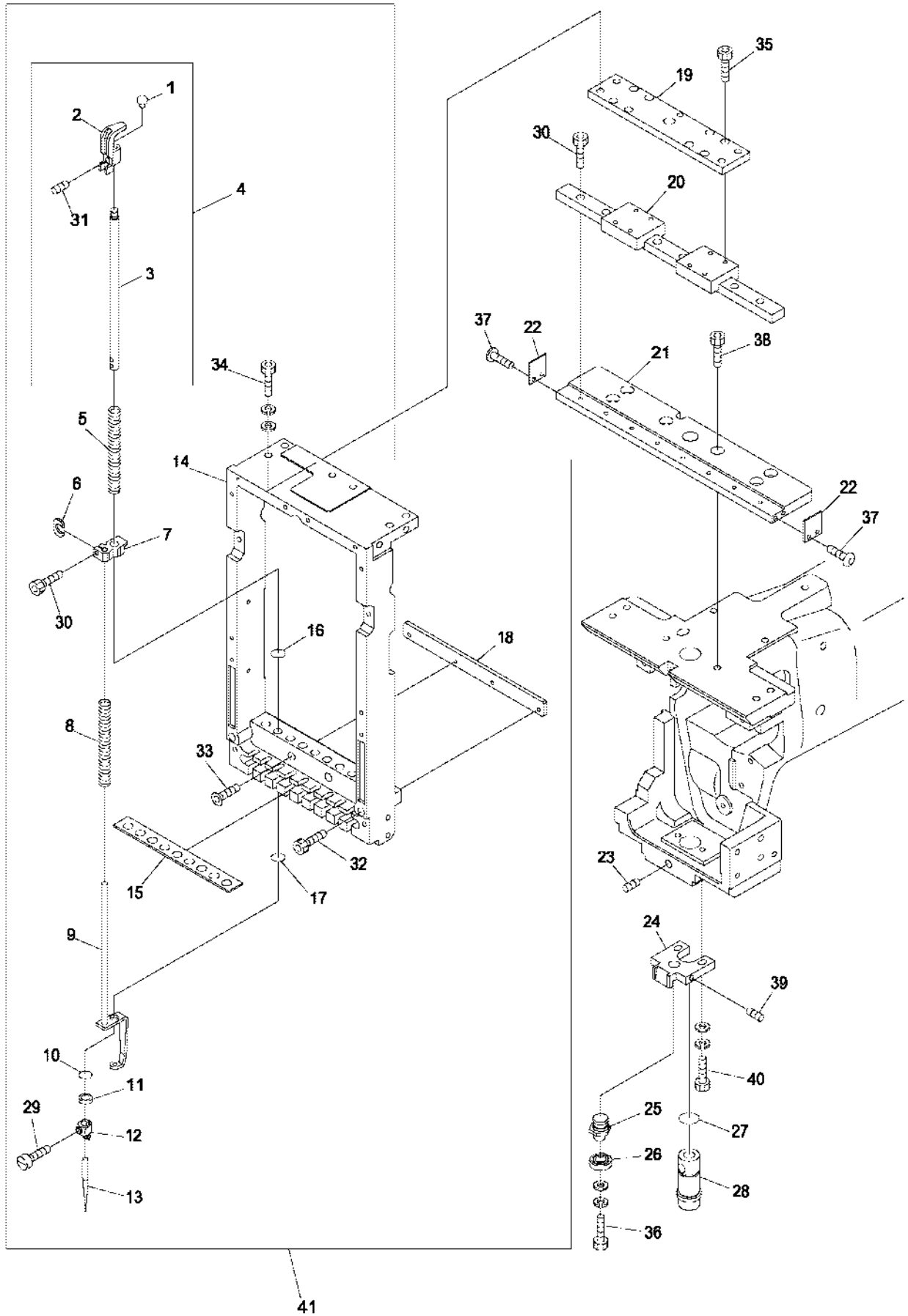
BENT-ZN

03-2 TAKE UP LEVER (ZQ)



BENT-ZQ

04A-1 NEEDLE BAR A (ZN)



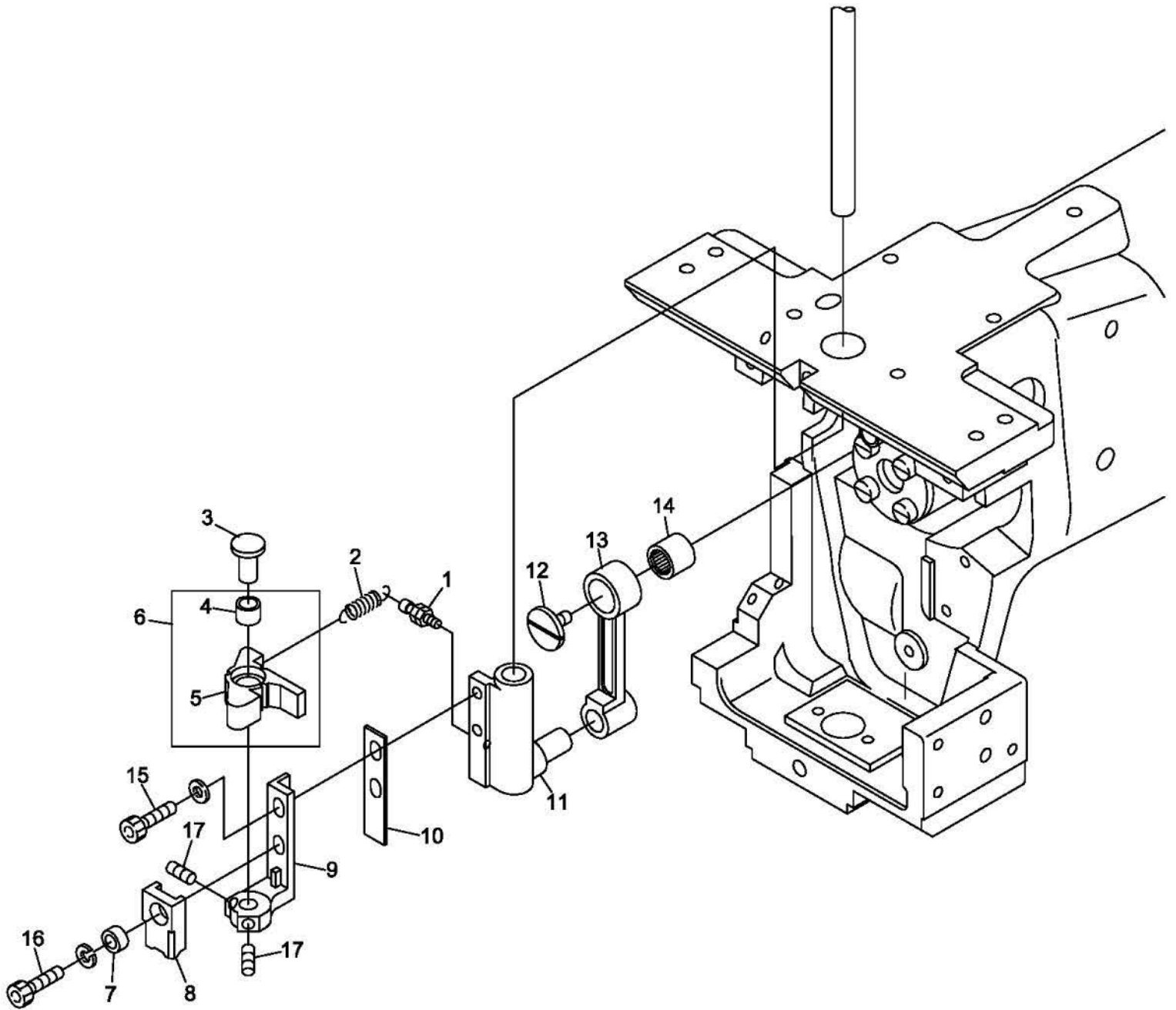
04A-1 Needle Bar A (ZN)

| ITEM | LIST NO. | DESCRIPTION | QTY | NOTE |
|------|-------------|---------------------------------------|-----|------|
| 1. | HT230130 | Needle Bar Cap | 9 | |
| 2. | HT230151 | Needle Bar Guide | 9 | |
| 3. | HT230041 | Needle Bar | 9 | |
| 4. | HT230810 | Needle Bar Assembly | 9 | |
| 5. | HT230251 | Needle Bar Spring | 9 | |
| 6. | HT230263 | Set Clamp Washer | 9 | |
| 7. | HT230330 | Presser Foot Set Clamp | 9 | |
| 8. | KX230251 | Needle Bar Spring (Lower) | 9 | |
| 9. | HT230143 | Presser Foot (YN/ZN) | 9 | |
| 10. | KF230910 | O-Ring (S) | 9 | |
| 11. | MF230000 | Needle Clamp Spacer (ZN/ZQ) | 9 | |
| 12. | HT230670 | Needle Clamp (With Hook) | 9 | |
| 13. | FN070011SNY | Needle (DBXK5-NY11S) | 9 | |
| 14. | KX230283 | Slide Block (ZNA) | 1 | |
| 15. | KX230180 | Needle Bar Felt | 1 | |
| 16. | A9014055 | O-Ring (L)(1AS-7) | 9 | |
| 17. | KF230920 | O-Ring (L) | 9 | |
| 18. | KX230040 | Bearing Plate | 1 | |
| 19. | KX230010 | LM Base | 1 | |
| 20. | KX230060 | LM Guide | 1 | |
| 21. | KX230023 | Base Plate | 1 | |
| 22. | KX230191 | LM Stopper | 2 | |
| 23. | A9012053 | Hex. Socket Set Screw M6x0.75x8 | 2 | |
| 24. | KX230030 | Bearing Guide (ZN) | 1 | |
| 25. | KX230050 | Bearing Pin | 1 | |
| 26. | A9010065 | Ball Bearing (686ZZ) | 1 | |
| 27. | A9019037 | O-Ring (Lower Bushing, S12.5) | 1 | |
| 28. | KX270080 | Slide Shaft Bushing (Lower) (ZN) | 1 | |
| 29. | KF230240 | Needle Clamp Screw (SM9/64 40) | 9 | |
| 30. | | Hex. Socket Bolt M3x8 | | |
| 31. | | Hex. Socket Set Screw M4x4 | | |
| 32. | | Hex. Socket Bolt M3x25 | | |
| 33. | | Hex. Socket Flush Screw M3x25 | | |
| 34. | | Hex. Socket Bolt M5x16 (With Washers) | | |
| 35. | | Hex. Socket Bolt M3x6 | | |
| 36. | | Hex. Socket Bolt M4x6 (With Washers) | | |
| 37. | | Hex. Socket Button Bolt M3x6 | | |
| 38. | | Hex. Socket Bolt M5x12 | | |
| 39. | | Hex. Socket Set Screw M4x12 | | |
| 40. | | Hex. Socket Bolt M4x15 (With Washers) | | |
| 41. | KX230260 | Slide Block Assembly (ZN) | 1 | |
| 42. | | | | |
| 43. | | | | |
| 44. | | | | |

04A-2 Needle Bar A (ZQ)

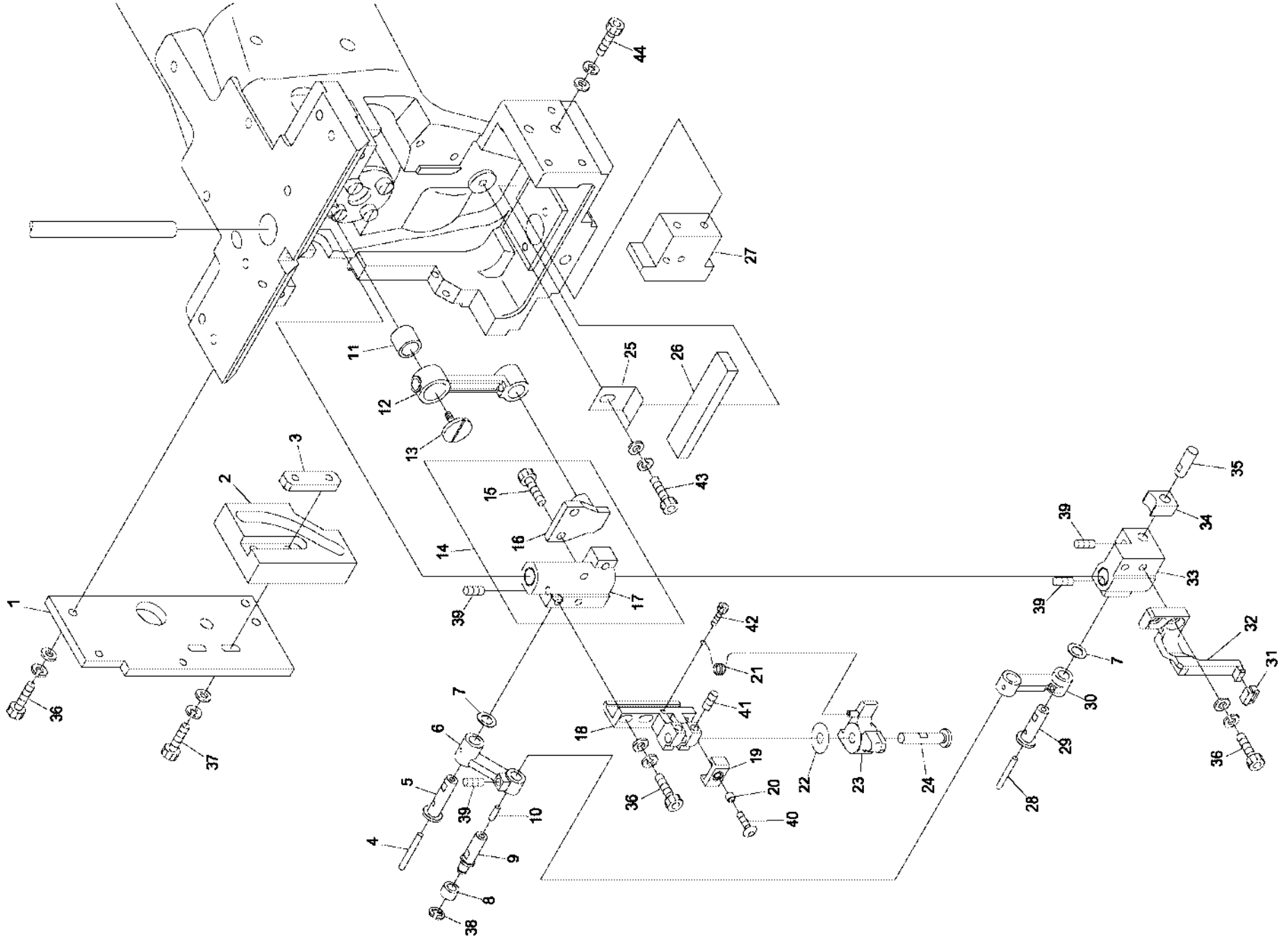
| ITEM | LIST NO. | DESCRIPTION | QTY | NOTE |
|------|-------------|---------------------------------------|-----|------|
| 1. | LA230300 | Slide Block Assembly (ZQ) | 1 | |
| 2. | HT230130 | Needle Bar Cap | 15 | |
| 3. | HT230151 | Needle Bar Guide | 15 | |
| 4. | HT230190 | Needle Bar Assembly | 15 | |
| 5. | HT230041 | Needle Bar | 15 | |
| 6. | HT230251 | Needle Bar Spring (Upper) | 15 | |
| 7. | HT230261 | Set Clamp Washer | 15 | |
| 8. | HT230330 | Presser Foot Set Clamp | 15 | |
| 9. | KX230250 | Needle Bar Spring (Lower) | 15 | |
| 10. | HT230143 | Presser Foot (YN/ZN) | 15 | |
| 11. | KF230910 | O-Ring (S) | 15 | |
| 12. | MF230000 | Needle Clamp Spacer (ZN/ZQ) | 15 | |
| 13. | HT230670 | Needle Clamp (With Hook) | 15 | |
| 14. | FN070011SNY | Needle (DBXK5-NY11S) | 15 | |
| 15. | LA230230 | Slide Block (ZQ) | 1 | |
| 16. | A9014055 | O-Ring (1AS-7) | 15 | |
| 17. | KF230920 | O-Ring (L) | 15 | |
| 18. | RD230060 | Bearing Plate | 1 | |
| 19. | RD230070 | Needle Bar Felt | 1 | |
| 20. | LA230240 | LM Base | 1 | |
| 21. | RD230020 | LM Guide | 1 | |
| 22. | LA230220 | Base Plate | 1 | |
| 23. | KX230190 | LM Stopper | 2 | |
| 24. | LA230140 | Bearing Guide | 1 | |
| 25. | KX230050 | Bearing Pin | 1 | |
| 26. | A9010065 | Ball Bearing (686ZZ) | 1 | |
| 27. | A9019037 | O-Ring (Lower Bushing, S12.5) | 1 | |
| 28. | LA230080 | Slide Shaft Bushing (Lower) | 1 | |
| 29. | KF230240 | Needle Clamp Screw (SM 9/64-40) | 15 | |
| 30. | A9012053 | Hex. Socket Set Screw M6x0.75x8 | 2 | |
| 31. | | Hex. Socket Set Screw M4x4 | | |
| 32. | | Hex. Socket Bolt M5x16 (With Washers) | | |
| 33. | | Hex. Socket Bolt M3x8 | | |
| 34. | | Hex. Socket Bolt M3x25 | | |
| 35. | | Hex. Socket Bolt M3x6 | | |
| 36. | | Hex. Socket Button Bolt M3x6 | | |
| 37. | | Hex. Socket Bolt M5x12 | | |
| 38. | | Hex. Socket Set Screw M4x12 | | |
| 39. | | Hex. Socket Bolt M4x15 (With Washers) | | |
| 40. | | Hex. Socket Bolt M4x6 (With Washers) | | |
| | | | | |
| | | | | |
| | | | | |
| | | | | |

04B-1 Needle Bar B (ZN)



BENT- ZN

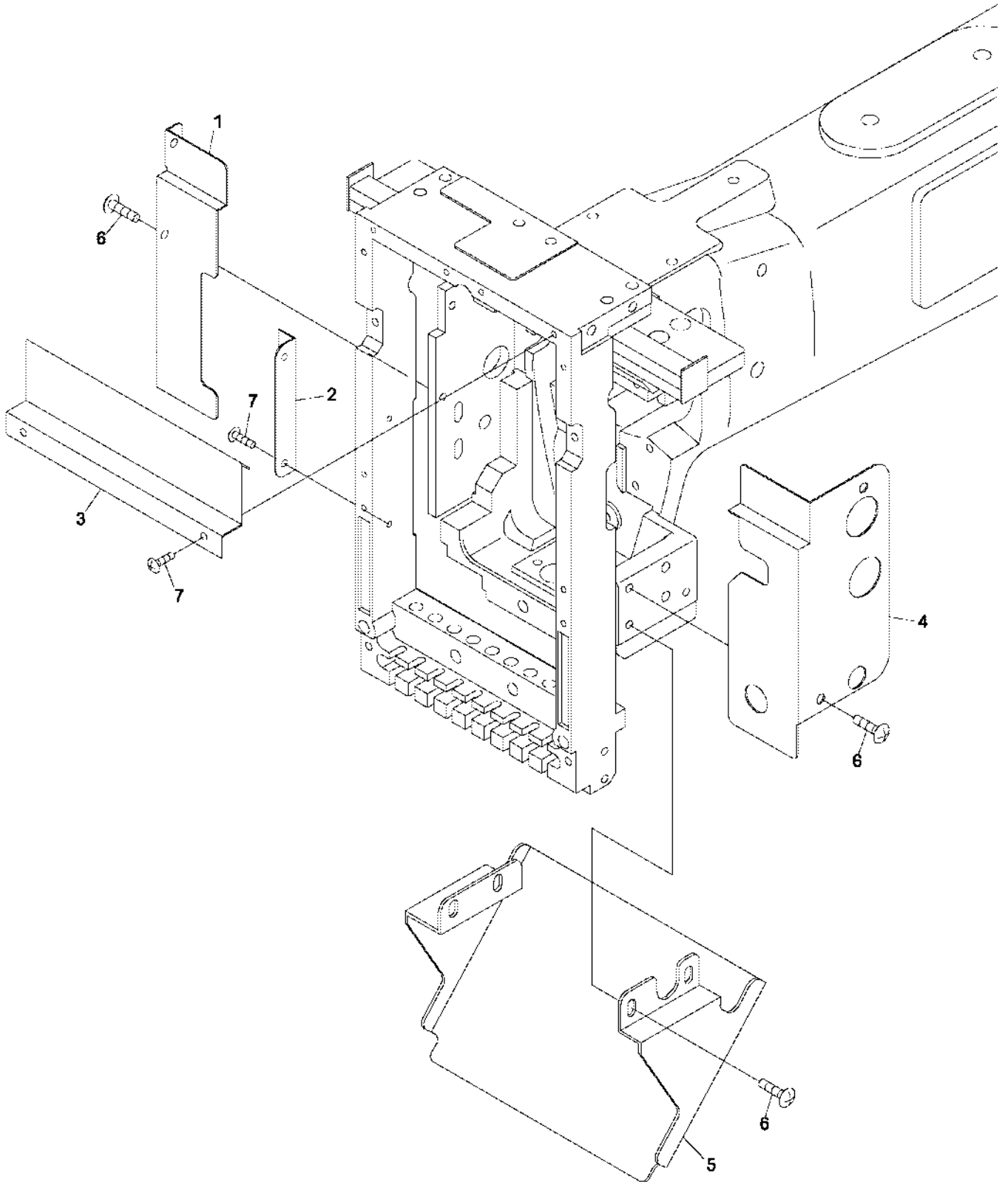
04B-2 NEEDLE BAR B (ZQ)



04B-2 Needle Bar B (ZQ)

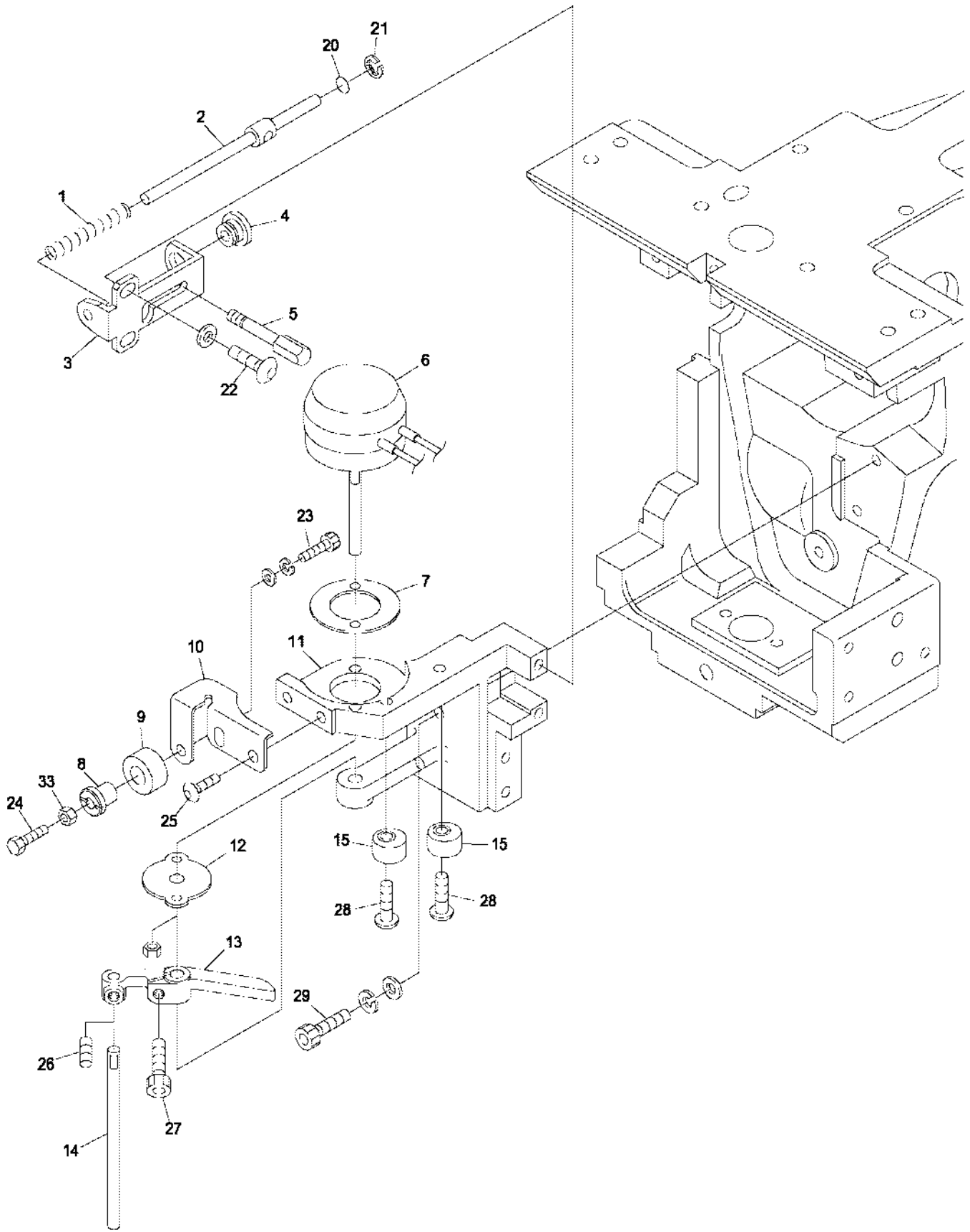
| ITEM | LIST NO. | DESCRIPTION | QTY | NOTE |
|------|----------|---|-----|------|
| 1. | LA230100 | Presser Foot Cam Plate | 1 | |
| 2. | LA230150 | Presser Foot Cam | 1 | |
| 3. | HT230380 | Cam Tap Plate | 1 | |
| 4. | LA230290 | Oil Core (23mm) | 1 | |
| 5. | LA230110 | Link Pin (Upper) | 1 | |
| 6. | LA230040 | Link (Upper) | 1 | |
| 7. | HT230730 | Shim Ring (Ø10 T=0.3) | 2 | |
| 8. | KF230530 | Roller (Joint Pin) | 1 | |
| 9. | LA230130 | Link Roller Joint Pin | 1 | |
| 10. | HT230760 | Oil Core (8mm) | 1 | |
| 11. | A9011115 | Needle Bearing (K9x12x10T2) | 1 | |
| 12. | LA230060 | Crank Rod | 1 | |
| 13. | KB230070 | 90° Crank (Counter Clockwise Screw) | 1 | |
| 14. | LA230030 | Driver Slide Assembly | 1 | |
| 15. | A9019036 | Hex. Socket Bolt M4x10 | 2 | |
| 16. | LA230020 | Driver Slide Pin | 1 | |
| 17. | LA230010 | Driver Slide | 1 | |
| 18. | LB230070 | Needle Bar Driver Fixing Base (ZN/ZQA) | 1 | |
| 19. | HT230520 | Needle Bar Driver Stopper | 1 | |
| 20. | A9012368 | Spacer (Roll Bushing) | 1 | |
| 21. | HT230560 | Needle Bar Driver Return Spring | 1 | |
| 22. | A9012367 | Shim Ring (Ø15 T=0.15) | 1 | |
| 23. | HT230531 | Needle Bar Driver | 1 | |
| 24. | HT230280 | Needle Bar Driver Pin | 1 | |
| 25. | LA230200 | Felt Plate | 1 | |
| 26. | LA230210 | Felt (Head Oil) | 1 | |
| 27. | LA230160 | Guide Box | 1 | |
| 28. | HT230770 | Oil Core (20mm) | 1 | |
| 29. | LA230120 | Link Pin (Lower) | 1 | |
| 30. | LA230050 | Link (Lower) | 1 | |
| 31. | HT230340 | Presser Foot Support Rubber | 1 | |
| 32. | HT230370 | Presser Foot Support | 1 | |
| 33. | LA230070 | Presser Foot Slide | 1 | |
| 34. | HP231370 | Square Ball | 1 | |
| 35. | LA230090 | Square Ball Pin | 1 | |
| 36. | | Hex. Socket Bolt M4x12 | | |
| 37. | | Hex. Socket Bolt M4x20 | | |
| 38. | | E-Ring (Ø3) | | |
| 39. | | Hex. Socket Set Screw M4x6 (With Nylon) | | |
| 40. | | Hex. Socket Button Bolt M3x6 | | |
| 41. | | Hex. Socket Set Screw M4x4 (With Nylon) | | |
| 42. | | Hex. Socket Bolt M2.5x6 | | |
| 43. | | Hex. Socket Bolt M4x8 | | |
| 44. | | Hex. Socket Bolt M4x16 | | |

04C NEEDLE BAR C



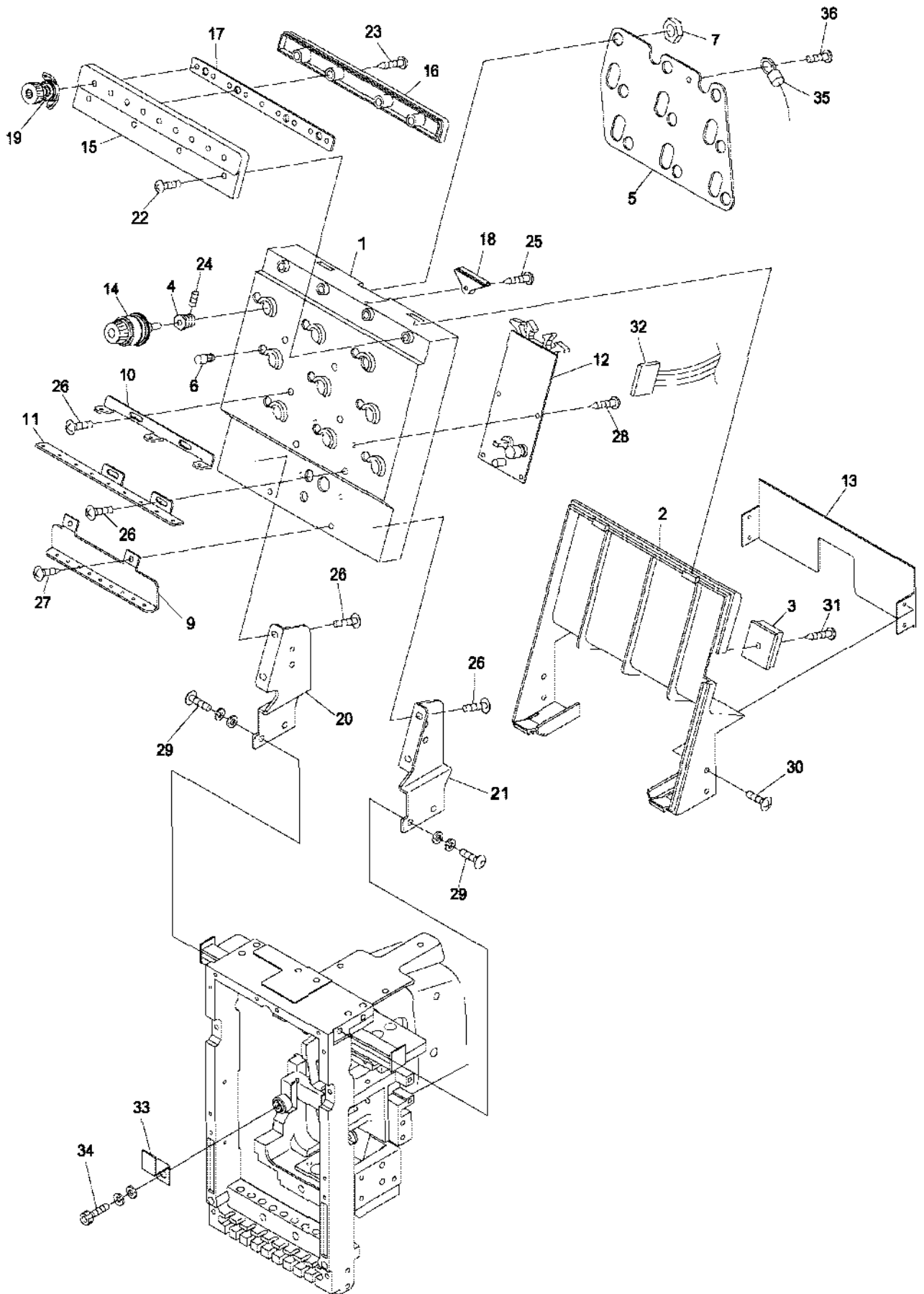
BENT-ZN/ZQ

05 JUMP



BENT-ZN/ZQ

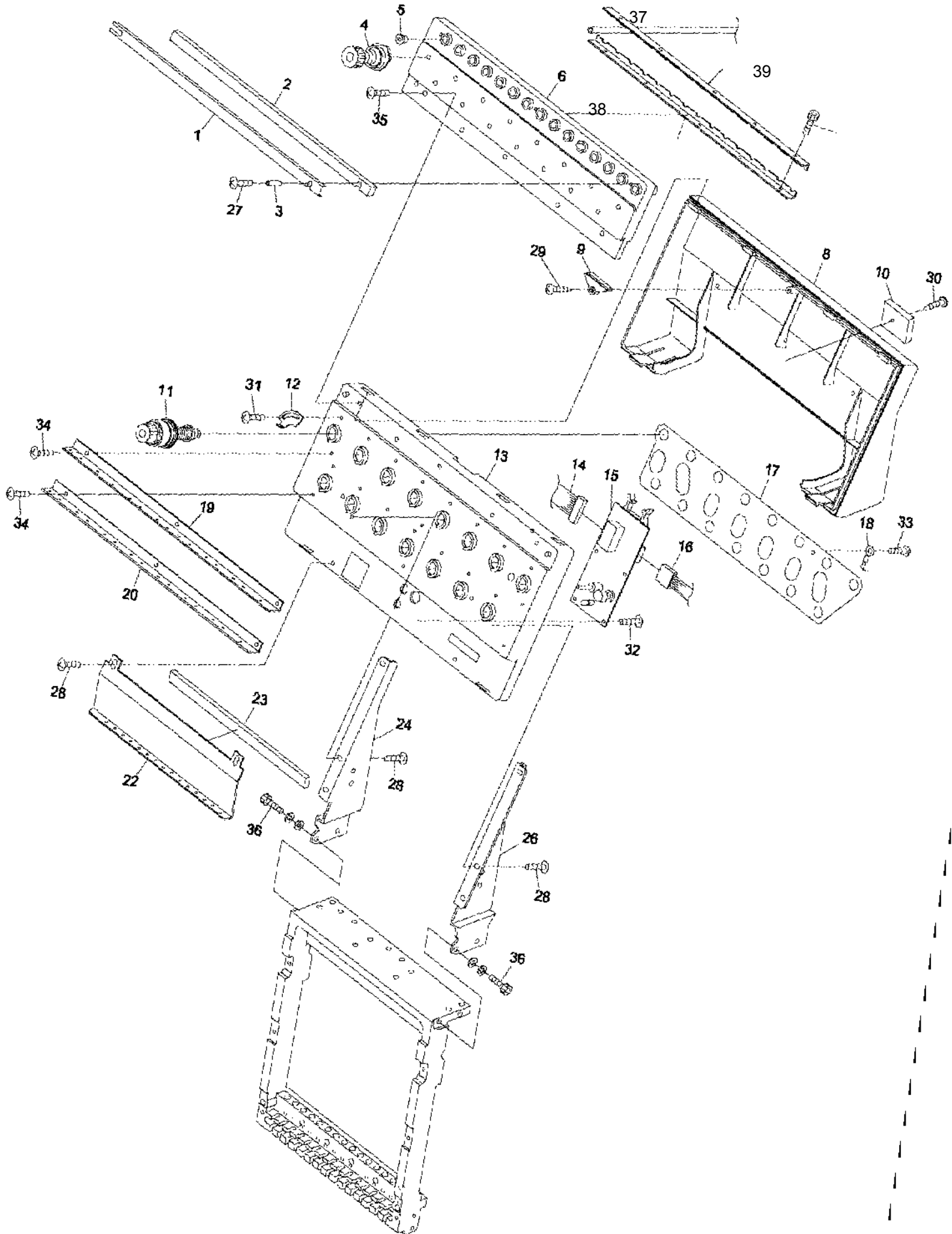
06A-1 THREAD GUIDE A (W/O UTSM)(ZN)



06A-1 Thread Guide A (w/o UTSM) (ZN)

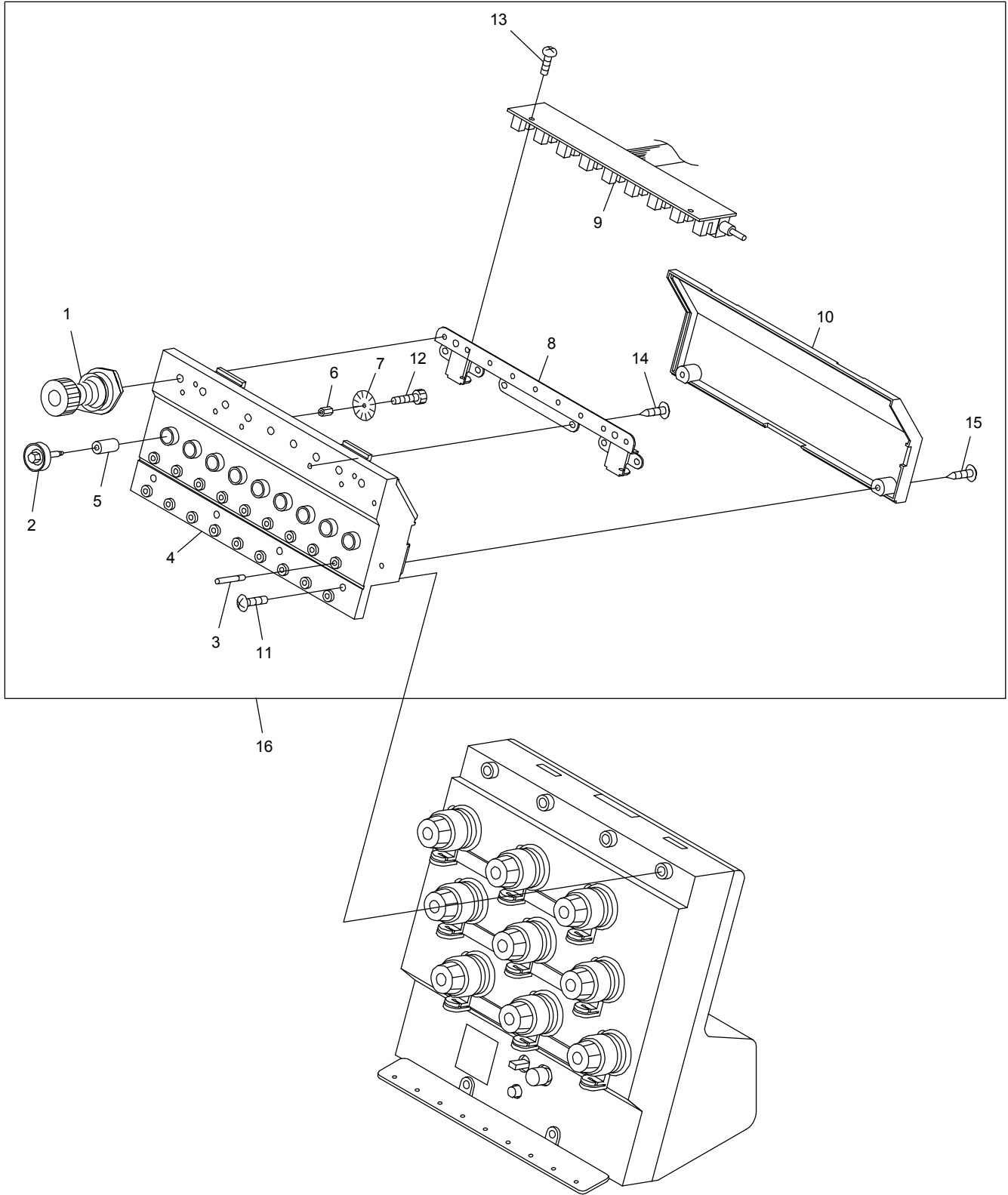
| ITEM | LIST NO. | DESCRIPTION | QTY | NOTE |
|------|----------|---|-----|------|
| 1. | HT240120 | Tension Base Case | 1 | |
| 2. | KX330320 | Tension Base Cover | 1 | |
| 3. | A9068032 | Clamp (FCW-26) | 1 | |
| 4. | HT240150 | Thread Tension Base | 9 | |
| 5. | HT240160 | Tension Ground Plate | 1 | |
| 6. | HT240170 | Upper Thread Detection Contact Post | 9 | |
| 7. | HT240180 | SM-Nut | 9 | |
| 8. | | | | |
| 9. | KX240031 | Second Thread Guide Plate | 1 | |
| 10. | HT240062 | First Thread Guide | 1 | |
| 11. | HT240391 | Thread Guide Plate | 1 | |
| 12. | EBY01670 | 4640 Head Switch Board (ZN/ZQ) | 1 | |
| 13. | KX330330 | Tension Base Cover A | 1 | |
| 14. | HT240525 | Thread Tension Unit Assembly | 9 | |
| 15. | HT240211 | First Thread Guide Fixing Case | 1 | |
| 16. | HT240220 | First Thread Guide Fixing Cover | 1 | |
| 17. | HT240230 | First Thread Guide Fixing Base | 1 | |
| 18. | HT240240 | Blind Cap | 1 | |
| 19. | HT240331 | Thread Guide For First Tension | 9 | |
| 20. | KX240010 | Tension Base Bracket, ZN (L) | 1 | |
| 21. | KX240000 | Tension Base Bracket, ZN (R) | 1 | |
| 22. | | Pan Screw M3x6 | | |
| 23. | | Tapping Screw Ø3x12 | | |
| 24. | | Hex. Socket Set Screw M4x12 | | |
| 25. | | Tapping Screw Ø3x12 | | |
| 26. | | Truss Screw M4x10 | | |
| 27. | | Tapping Truss Screw Ø4x10 | | |
| 28. | | Pan Head Tapping Screw Ø3x8 | | |
| 29. | | Hex Socket Button Bolt M5x12(With Washers) | | |
| 30. | | Truss Screw M3x8 | | |
| 31. | | Pan Head Tapping Screw Ø3x5 | | |
| 32. | EBY01625 | H1842 16-Pin Head Ribbon Cable (1 st Head, ZN) | 1 | |
| | FA904134 | H18982 16-Pin Head Ribbon Cable (NT-ZQ) | 1 | |
| 33. | KX250110 | Needle Bar Indicator (ZN) | 1 | |
| 34. | | Hex. Socket Bolt M4x6 (With Washers) | | |
| 35. | KX240150 | Tension Ground Cable (ZN) | 1 | |
| 36. | | Pan Screw M3x6 | | |
| | | | | |
| | | | | |
| | | | | |
| | | | | |
| | | | | |
| | | | | |
| | | | | |
| | | | | |
| | | | | |

06A-2 THREAD GUIDE A (W/O UTSM)(ZQ)

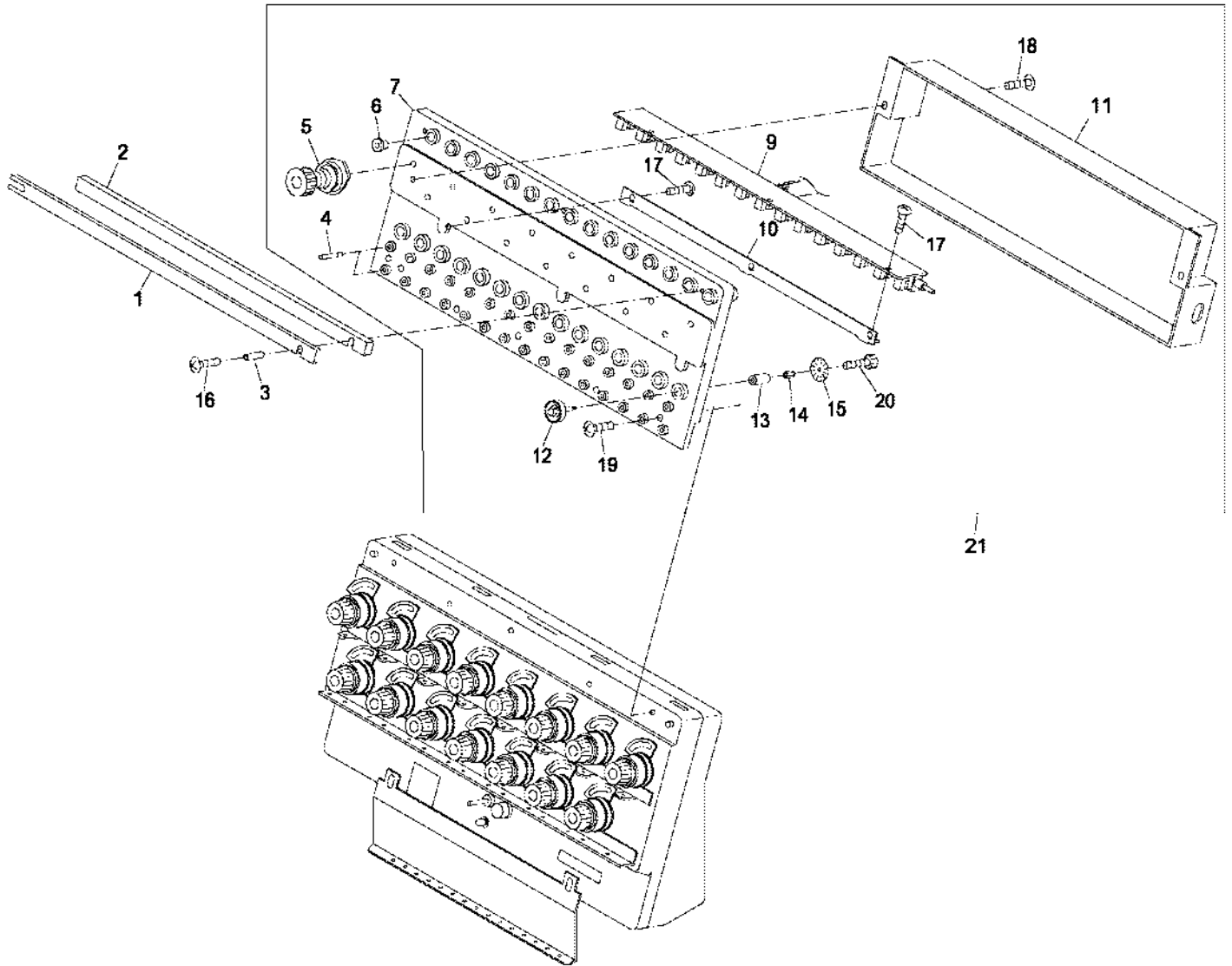


ENT-ZQ

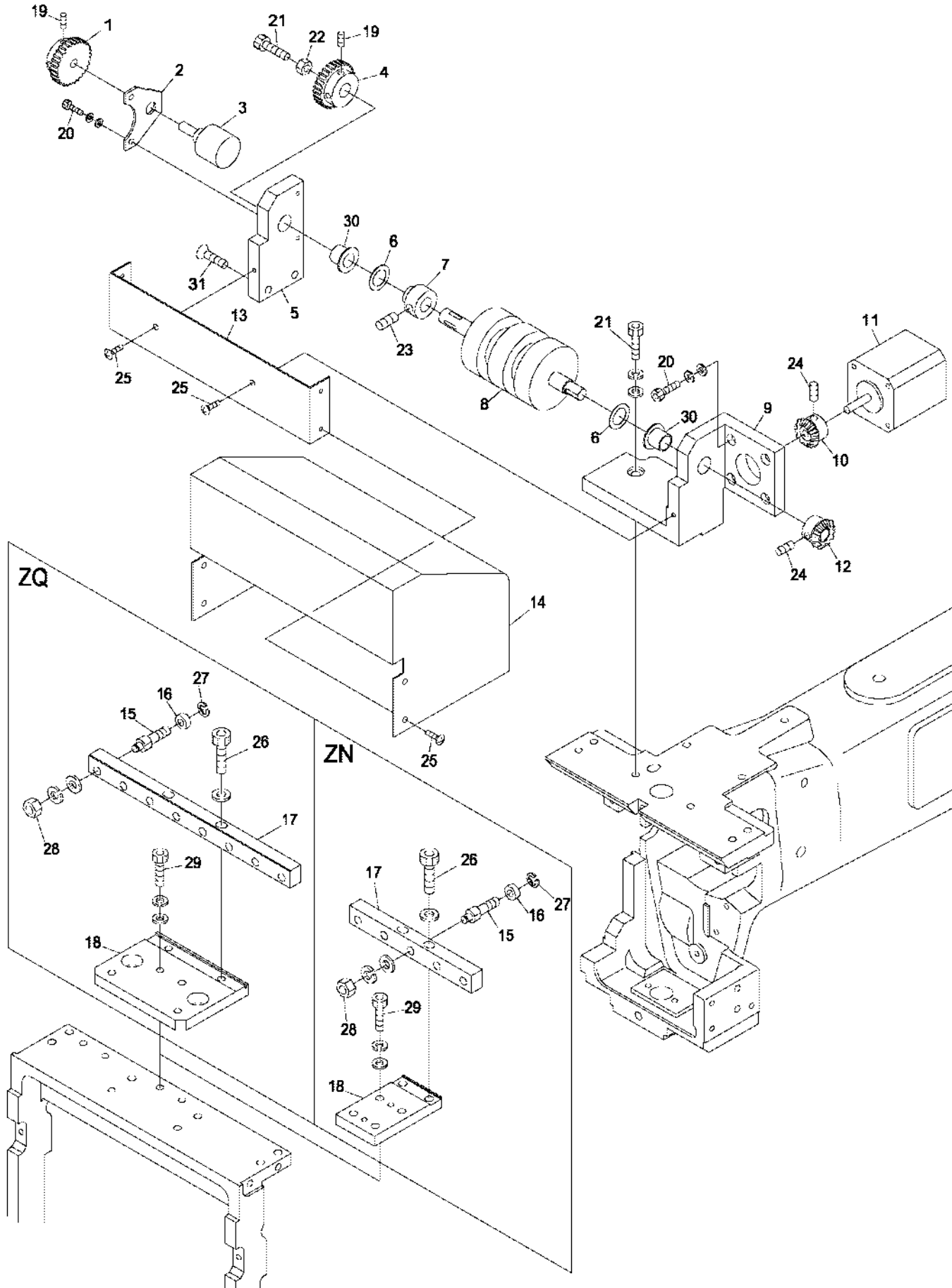
06B-1 THREAD GUIDE B (UTSM)(ZN)



06B-2 THREAD GUIDE B (UTSM)(ZQ)



07A COLOR CHANGE 1

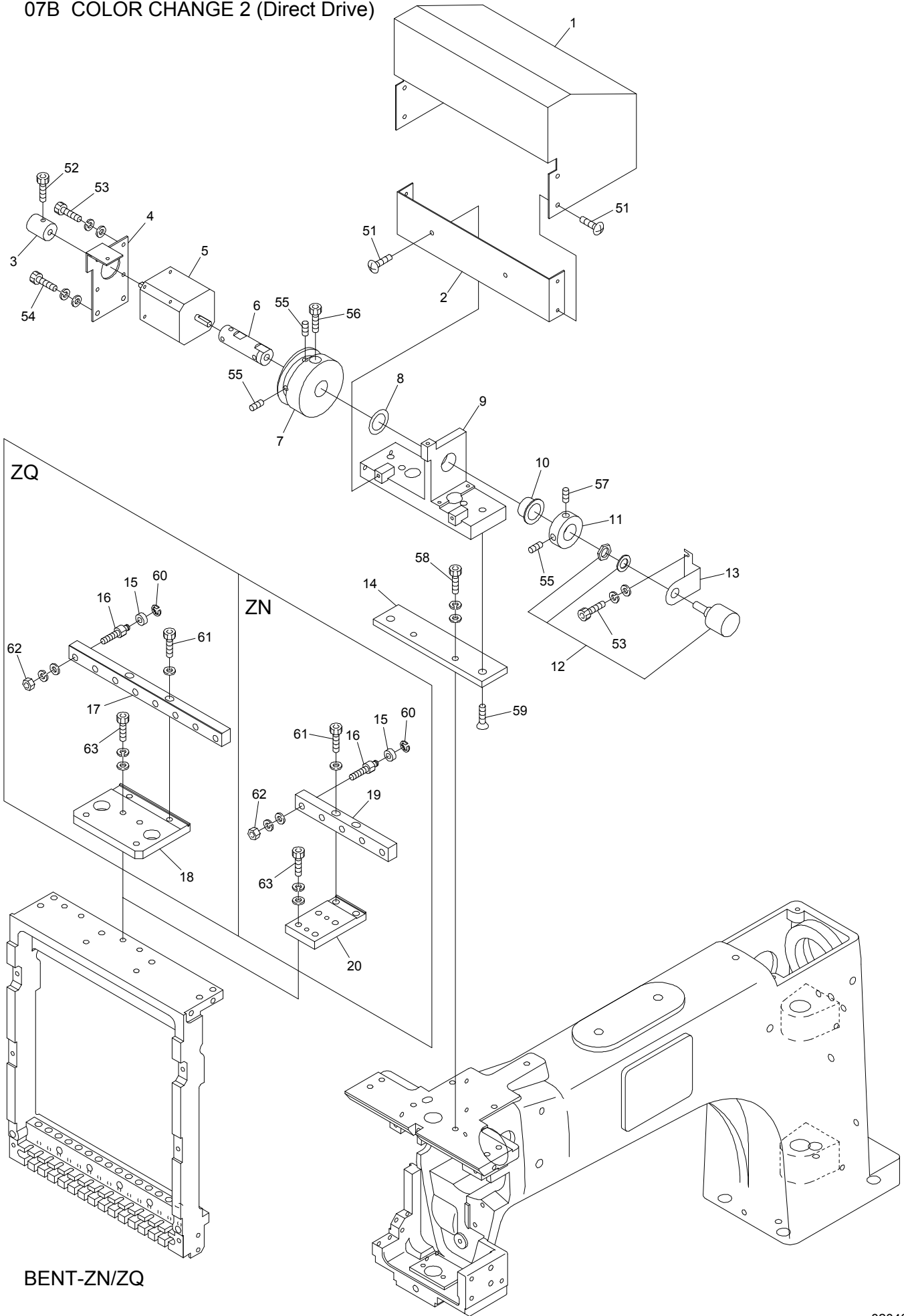


BENT-ZN/ZQ

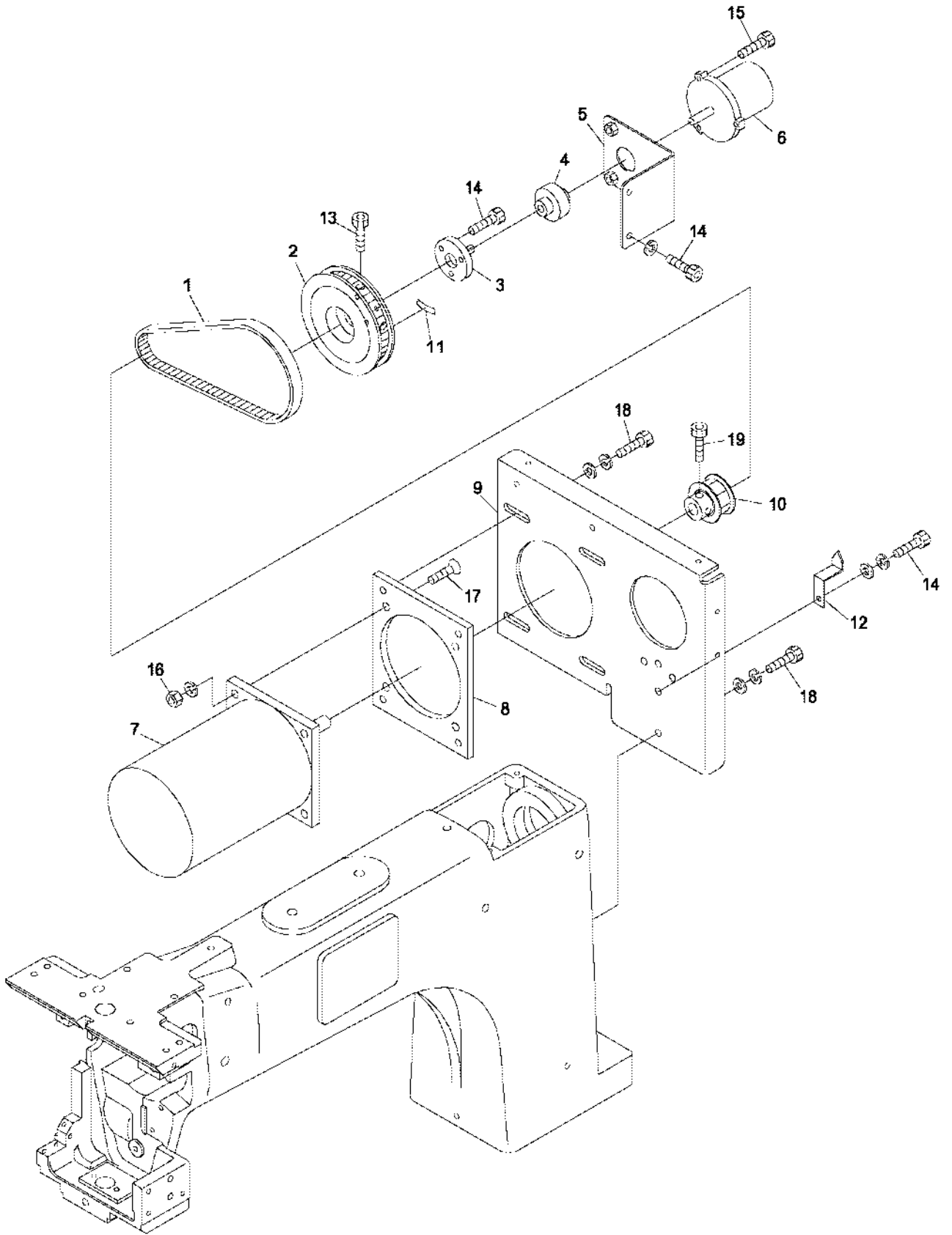
07A Color Change 1

| ITEM | LIST NO. | DESCRIPTION | QTY | NOTE |
|------|----------|---------------------------------------|-----|------|
| 1. | HP321720 | Encoder Drive Gear No. 2 | 1 | |
| 2. | MF330010 | Potentiometer Bracket | 1 | |
| 3. | MF510010 | Potentiometer (M-22E10-050) | 1 | |
| 4. | MF320040 | Potentiometer Drive Gear | 1 | |
| 5. | MF330040 | Color Change Side Plate | 1 | |
| 6. | A9010107 | Washer (AS1024) | 1 | |
| 7. | KX330120 | Bearing Hold Collar | 1 | |
| 8. | MF330000 | Color Change Cam | 1 | |
| 9. | MF330030 | Color Change Base | 1 | |
| 10. | MF320010 | Needle Turning Bevel Gear No. 2 | 1 | |
| 11. | MF510020 | Color Change Motor (TS3617N2E9) | 1 | |
| 12. | KR330190 | Needle Turning Bevel Gear | 1 | |
| 13. | MF330050 | Color Change Cover Front | 1 | |
| 14. | MF250080 | Color Change Cover | 1 | |
| 15. | KX330160 | Connecting Collar Shaft | 5 | ZN |
| | | | 8 | ZQ |
| 16. | A9010063 | Bearing (MR105ZZ) | 5 | ZN |
| | | | 8 | ZQ |
| 17. | MF330020 | Connecting Block | 1 | ZN |
| | MG330010 | Connecting Block | 1 | ZQ |
| 18. | KX330280 | Connecting Base Plate | 1 | ZN |
| | MG330000 | Connecting Base Plate | 1 | ZQ |
| 19. | | Hex. Socket Set Screw M4x8 | | |
| 20. | | Hex. Socket Bolt M3x10 | | |
| 21. | | Hex. Socket Bolt M5x20 | | |
| 22. | | Hex. Nut M5 | | |
| 23. | | Hex. Socket Set Screw M6x6 | | |
| 24. | | Hex. Socket Set Screw M5x5 | | |
| 25. | | Truss Screw M3x8 | | |
| 26. | | Hex. Socket Bolt M6x25 | | |
| 27. | | E-Ring (Ø3) | | |
| 28. | | Hex. Nut M6 | | |
| 29. | | Hex. Socket Bolt M5x18 | | |
| 30. | A9011134 | DU Bushing With Flange (MB1010-18FDU) | 2 | |
| 31. | | Flush Bolt M5x18 | | |
| | | | | |
| | | | | |
| | | | | |
| | | | | |
| | | | | |
| | | | | |
| | | | | |
| | | | | |
| | | | | |
| | | | | |

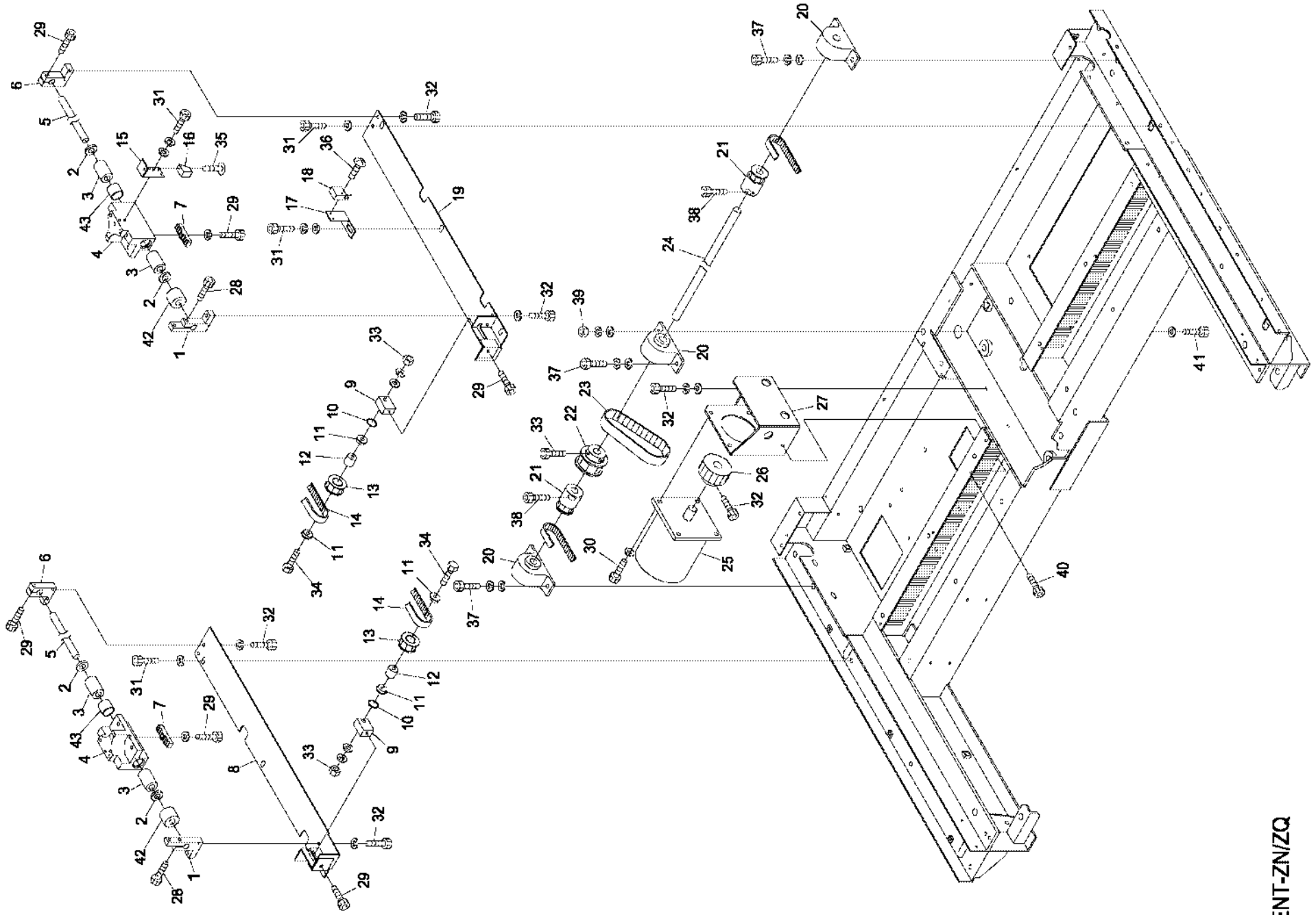
07B COLOR CHANGE 2 (Direct Drive)



08 DRIVE



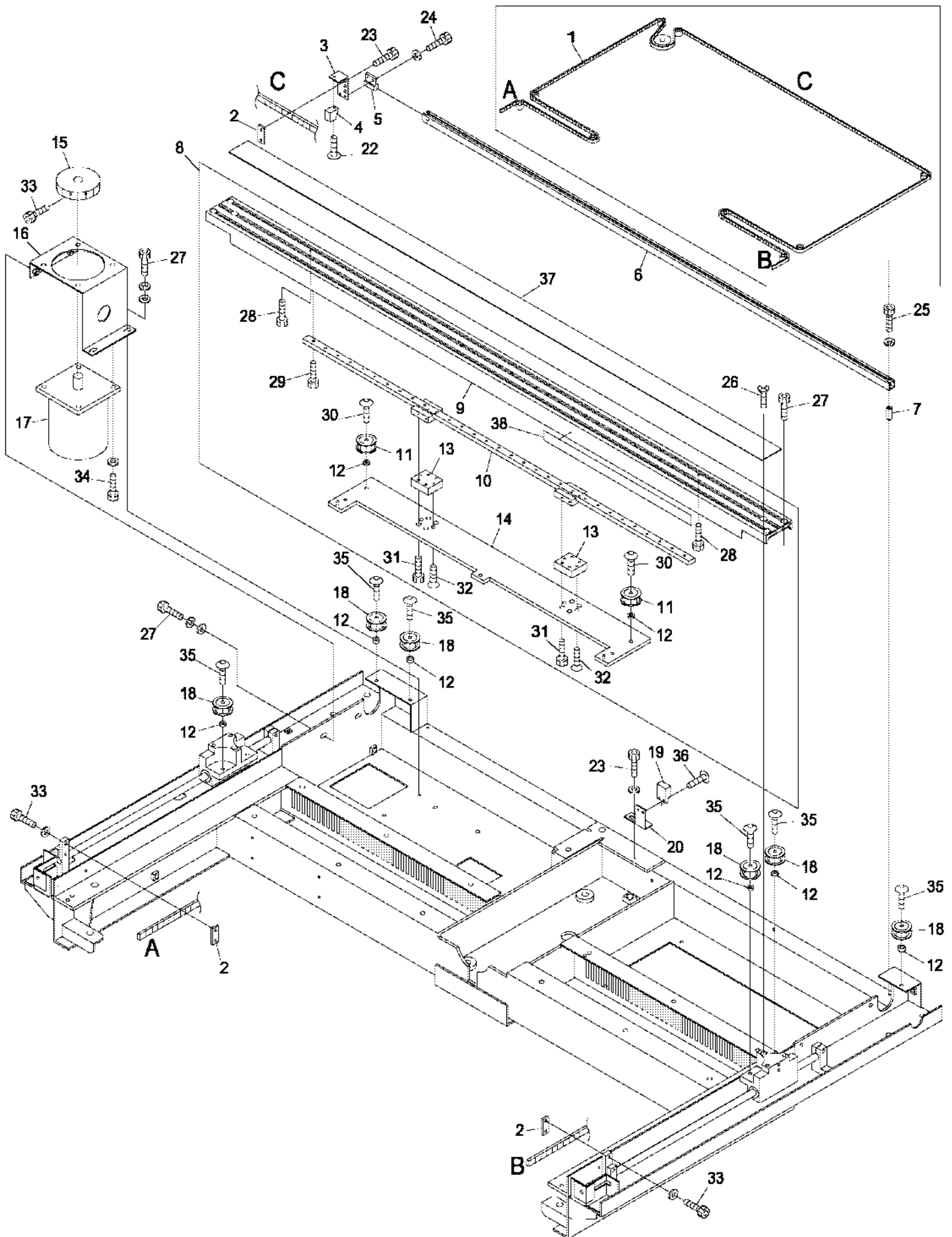
10A H-DIRECTION PANTOGRAPH DRIVE



10A H-Direction Pantograph Drive

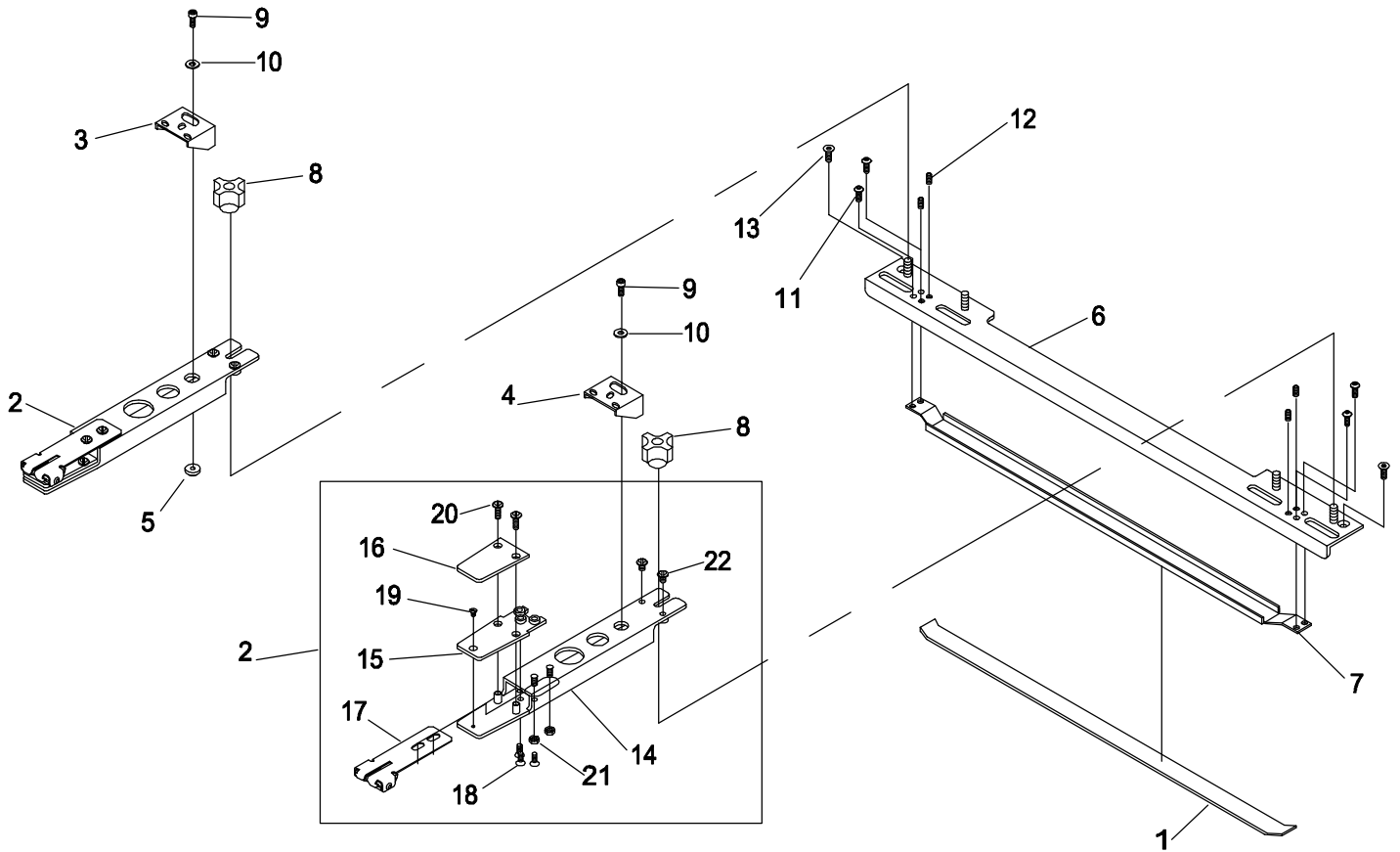
| ITEM | LIST NO. | DESCRIPTION | QTY | NOTE |
|------|----------|--|-----|------|
| 1. | MF480150 | Holder, Shaft (Front) | 2 | |
| 2. | P730415 | Retaining Ring, Bearing (TI-75) | 4 | |
| 3. | P730468 | Bushing, Linear Ceramic (10mm) | 4 | |
| 4. | P710530 | Carrier, H-Pantograph | 2 | |
| 5. | P730620 | Shaft, Precision Y- Panto (Metric) | 2 | |
| 6. | P730101 | Bracket, Rear Shaft Support | 2 | |
| 7. | P730240 | Clamp, Timing Belt Y-Panto (Metric) | 2 | |
| 8. | P700105 | Bracket, Left Side Mounting Angle | 1 | |
| 9. | P730635 | Block, Pulley Adjusting Y-Panto (Metric) | 2 | |
| 10. | P849556 | 1/4" Shim Washer | 2 | |
| 11. | P730462 | Bearing, Flange Metric (F696ZZ A3C) | 4 | |
| 12. | P820704 | 1/4" I.D. X 0.250 Spacer | 2 | |
| 13. | P730413 | Pulley, Idler Metric | 2 | |
| 14. | P732030 | Belt, Timing Y-Panto (With Steel) | 2 | |
| 15. | MF480340 | Bracket, Magnet | 1 | |
| 16. | A9052030 | Magnet (M-102A-02) | 1 | |
| 17. | MF480330 | Bracket, Origin Sensor | 1 | |
| 18. | A9052031 | Magnetic Limit Switch | 1 | |
| 19. | P700106 | Bracket, Right Side Mounting Angle | 1 | |
| 20. | P730460 | Bearing, Pillow Block (12mm) | 3 | |
| 21. | P730405 | Pulley, Timing Y-Panto (Metric) | 2 | |
| 22. | MF480130 | Pulley, H-Shaft | 1 | |
| 23. | A9020187 | Timing Belt(150S5M375) | 1 | |
| 24. | P730621 | Shaft, Drive Y-Panto (12mm) | 1 | |
| 25. | MF480401 | Panto Drive Motor (14mm Shaft O.D.) | 1 | |
| 26. | MF480141 | Pulley, H-Shaft Driving (14mm I.D.) | 1 | |
| 27. | MG480040 | Bracket, Y-Stepper Motor | 1 | |
| 28. | | Hex. Socket Bolt M4x25 | | |
| 29. | | Hex. Socket Bolt M5x20 | | |
| 30. | | Hex. Socket Bolt M5x16 | | |
| 31. | | Hex. Socket Bolt M6x15 | | |
| 32. | | Hex. Socket Bolt M5x12 | | |
| 33. | | Hex. Nut M6 | | |
| 34. | | Hex. Bolt M6x45 | | |
| 35. | | Truss Screw M3x6 | | |
| 36. | | Truss Screw M3x8 | | |
| 37. | | Hex. Socket Bolt M8x18 | | |
| 38. | | Hex. Socket Bolt M4x10 | | |
| 39. | | Hex. Nut M8 | | |
| 40. | | Hex. Socket Bolt M5x22 | | |
| 41. | | Hex. Socket Bolt M8x80 | | |
| 42. | MF480490 | Safety Stopper (BENT) | 2 | |
| 43. | P730440 | Spacer Carrier Bushing | 2 | |
| | | | | |

10B V-DIRECTION PANTOGRAPH DRIVE

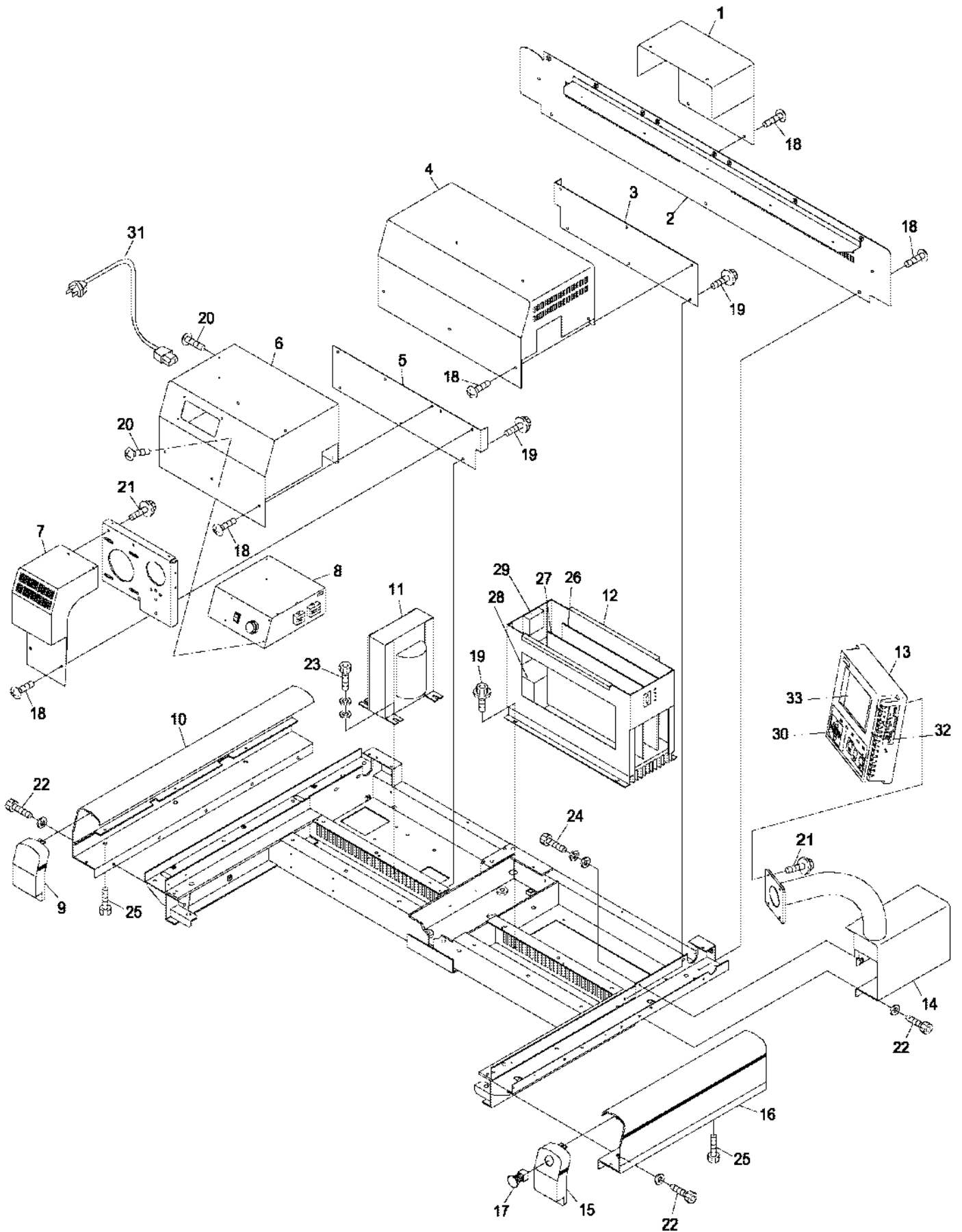


BENT-ZN/ZQ

10C V-HOOP ARM ATTACHMENT ASSEMBLY

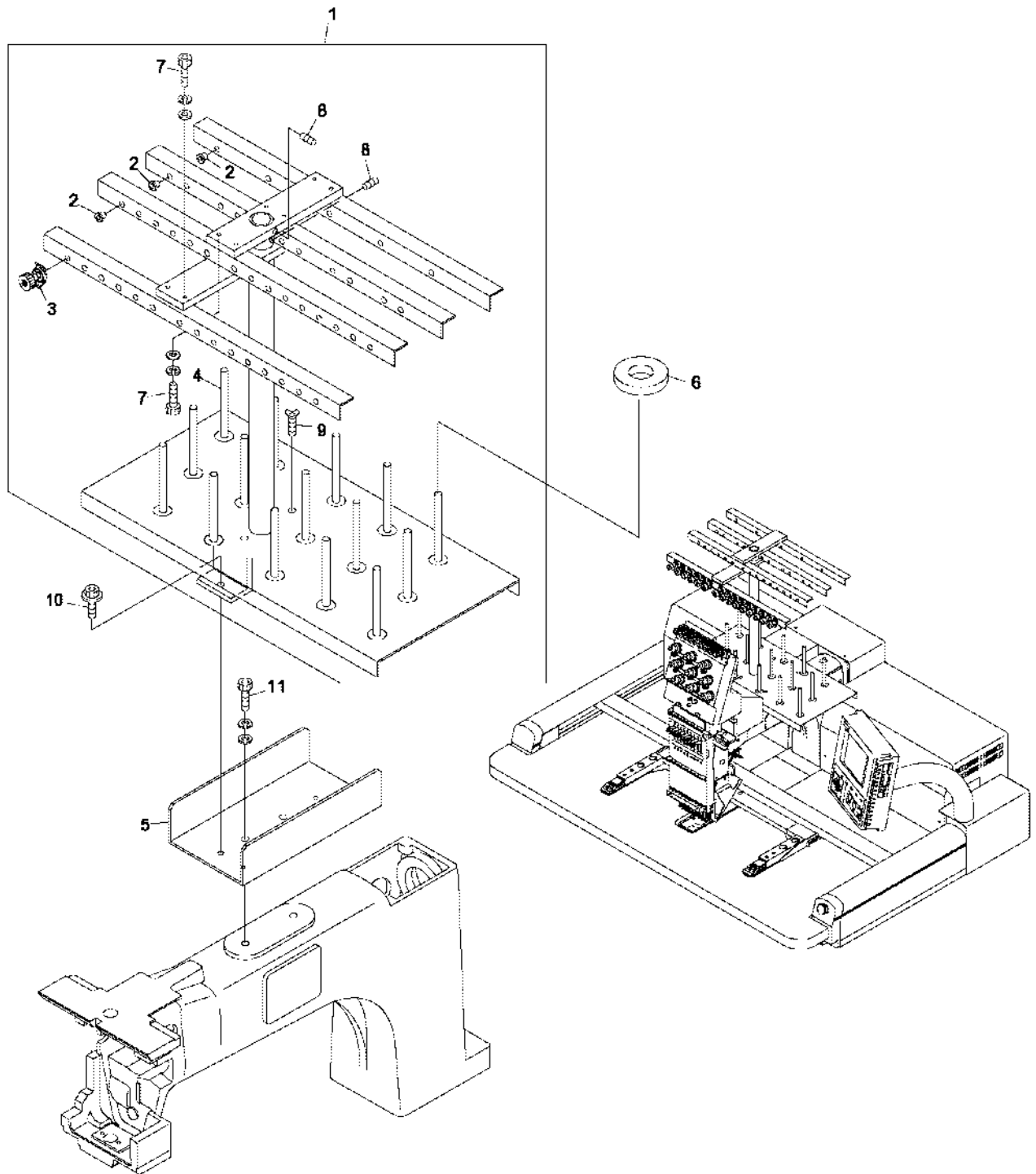


11 CONTROL

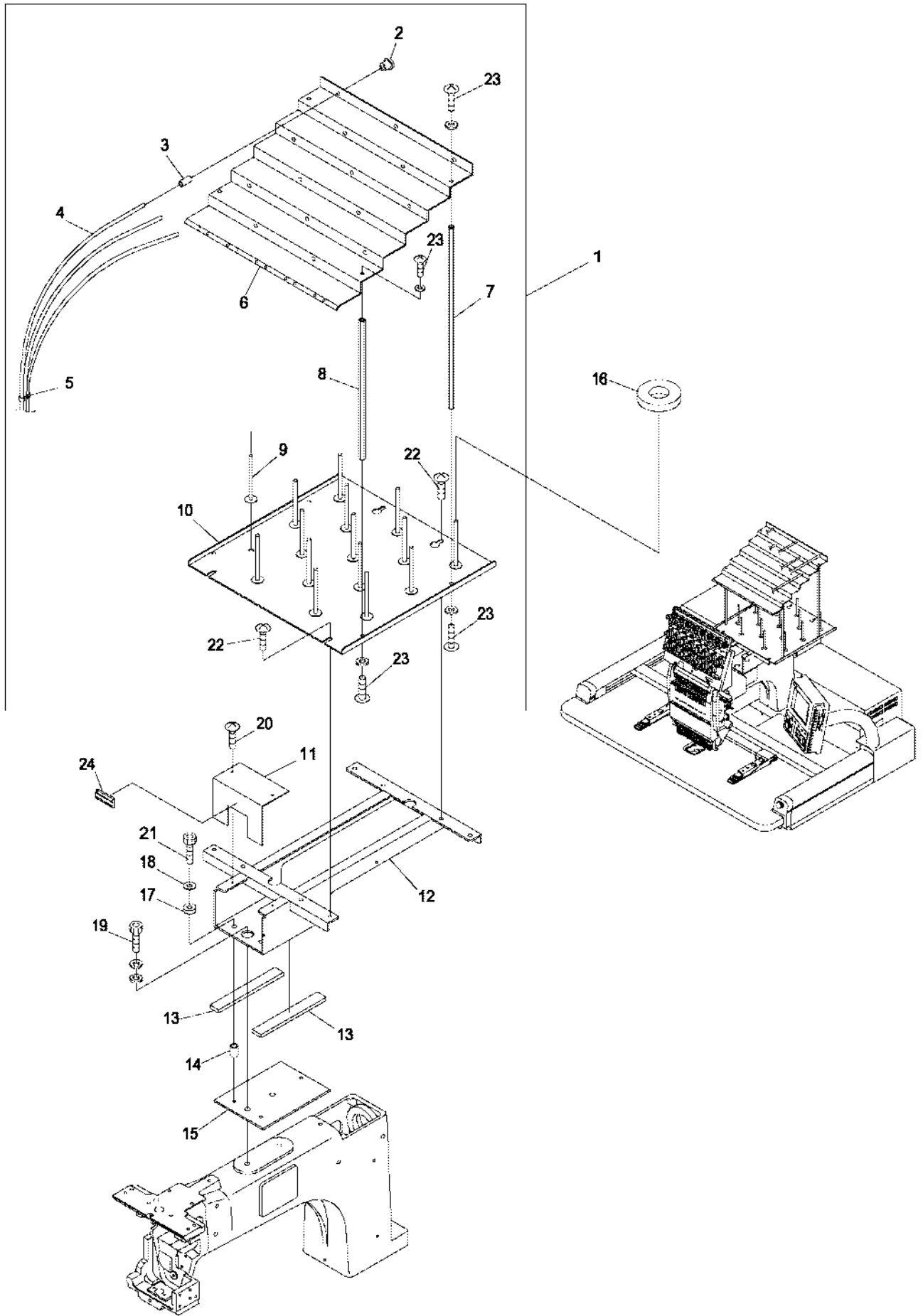


BENT-ZN/ZQ

12-1 ACCESSORIES (ZN)



12-2 ACCESSORIES (ZQ)



BENT-ZQ

